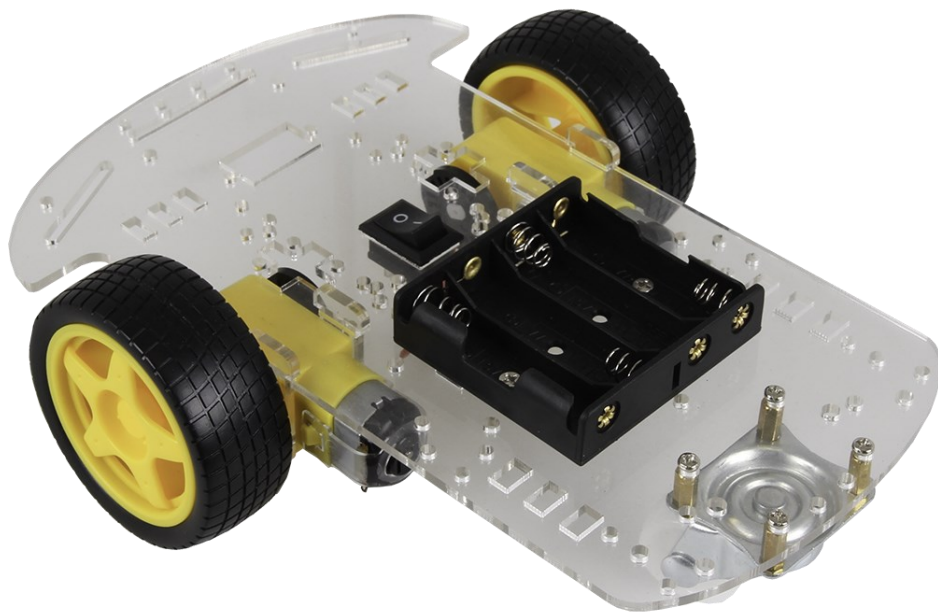


JOY-IT



Robot Kit 05
for Arduino

INHALTSVERZEICHNIS

1. Introduction
2. Overview
3. Assembly
4. Safety notices
5. Information and take-back obligations
6. EU-Declaration of conformity
7. Support

1. INTRODUCTION

Dear customer,

thank you for choosing our product.

In the following, we will show you what to observe during commissioning and use. Should you encounter any unexpected problems during use, please do not hesitate to contact us.

2. OVERVIEW

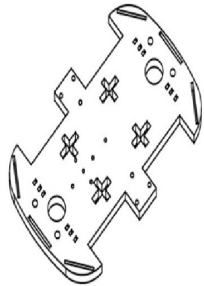
The Robot Kit 05 is a kit that can be used as a basic framework for a car / robot. You have to add other components such as a power source (battery, batteries) and a controller such as an Arduino with motor controller. We recommend the use of JOY-iT accessories.

The base plate already contains the holes for mounting an Arduino.

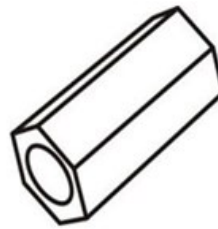
The motors are designed for a voltage of 3-9 V DC (4.5V recommended).

Voltage DC V	4,5	6	7,2	9
Current at idle mA	190	160	180	200
Speed per minute at idle +- 10%	90	190	230	300
Torque gf/cm min.	800	800	1000	1200

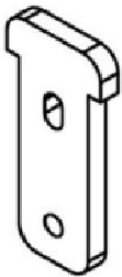
Included materials:



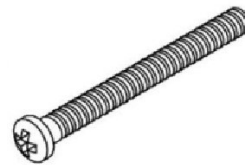
Baseplate (1x)



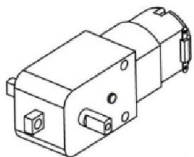
Spacers (4x)



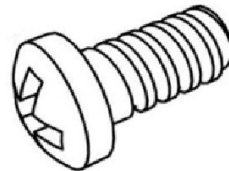
Engine mount (4x)



Screw 3x30 (4x)



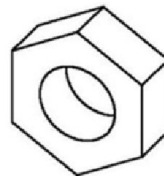
DC Motors (2x)



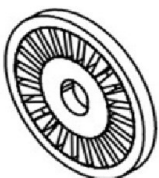
Screw 3x8 (10x)



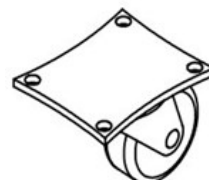
Wheel (2x)



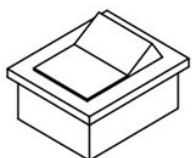
M4 Nut (10x)



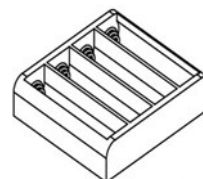
Perforated Wheel (2x)



Dolly (1x)

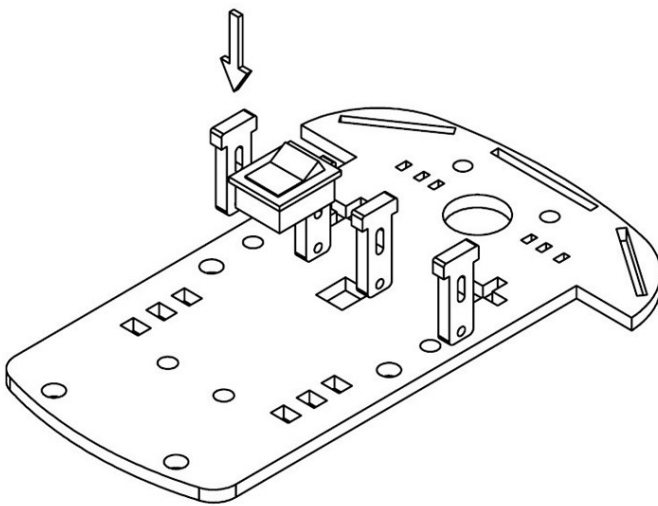


Switch (1x)

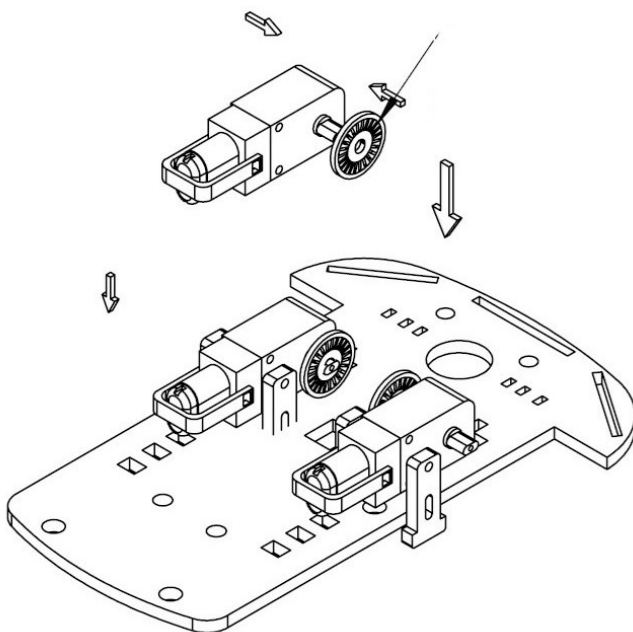


Battery Case (1x)

3. ASSEMBLY

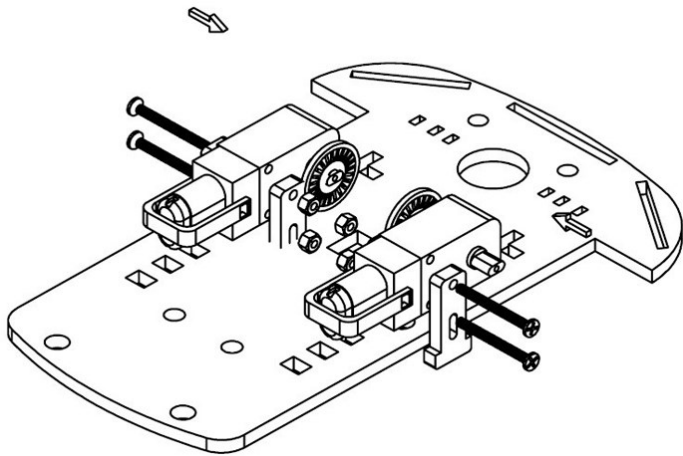


Insert the motor mountings and the toggle switch into the base plate after removing the yellow protective foil.

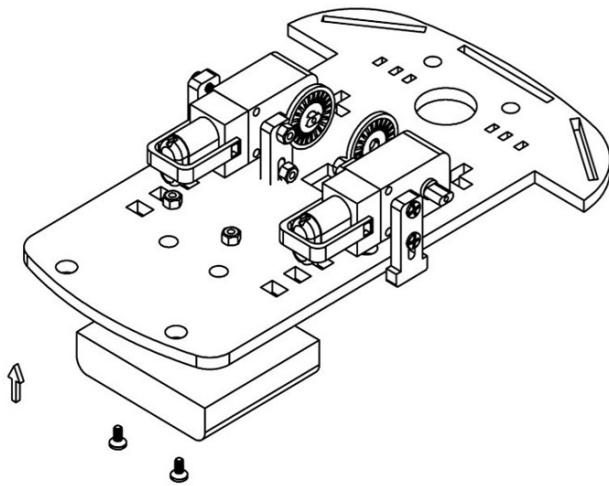


The axis hole of the pinion has a wide and a narrow side. The width side should point in the direction of the motor.

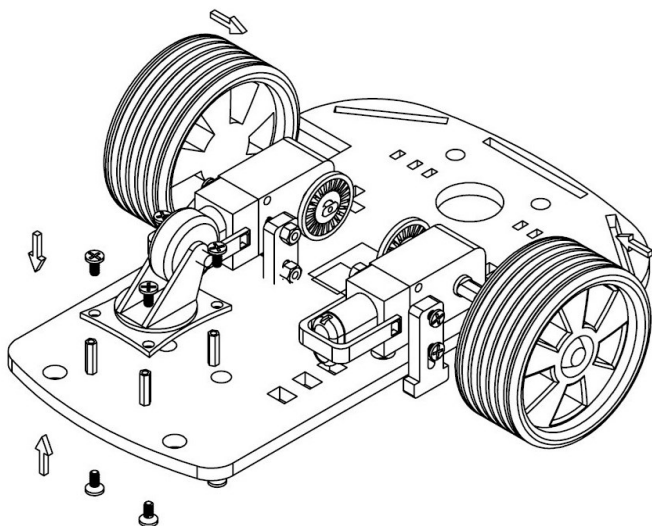
Mount the hole wheel on the motors and these on the brackets.



Tighten the motors.



Attach the battery container.



Insert the spacers and fasten the dolly. The assembly is now completed.

4. SICHERHEITSHINWEISE

The device must not be unattended during operation. Disconnect the power supply or remove the power source (e.g. batteries) when not in use. The device is not a toy, it contains swallowable small parts and is not suitable for children.

Acrylic sheets can break under overload. The motors must not be blocked or overloaded, this can lead to strong heat development. The motors can generate heat during operation, let the motors cool down before touching them. The kit is intended for use in dry rooms, it must not get wet or damp. Strong sunlight should be avoided. Please also observe the safety instructions for the additional components you have installed. There is a particular risk of burns when soldering.

5. INFORMATIONS- UND RÜCKNAHMEPFLICHTEN

Symbol on electrical and electronic equipment



This crossed-out dustbin means that electrical and electronic equipment does not belong in household waste. You must return the old devices to a collection point. Before disposal, you must separate old batteries and accumulators which are not enclosed in the old device from it.

Return options

As an end user, you can dispose of your old device (which essentially fulfils the same function as the new one purchased from us) free of charge when purchasing a new device. Small appliances where no external dimensions are larger than 25 cm can be delivered in normal household quantities, irrespective of the purchase of a new appliance.

Possibility of return at our company location during opening hours

Simac GmbH, Pascalstr. 8, D-47506 Neukirchen-Vluyn

Possibility of return in your area

We will send you a parcel stamp with which you can return the device to us free of charge. Please contact us by e-mail at Service@joy-it.net or by phone.

Information about packaging

If you do not have suitable packaging material or do not wish to use your own, please contact us and we will send you suitable packaging.

6. EU-DECLARATION OF CONFORMITY

As manufacturer we, Simac GmbH, declare that our product Robot05 fulfils the basic requirements of the following guidelines when used as intended:

RED Directive 2014/53/EU RoHS Directive 2011/65/EU

You can request the detailed declaration of conformity from us at the following address:

Simac GmbH , Pascalstr. 8, 47506 Neukirchen-Vluyn



23.05.2017 Xu Lu chief executive officer

Attention, this declaration of conformity only applies to the kit components supplied by us, the motors supplied by us comply with the regulations of the EMC directive when operated with the specified voltage. By adding your own components, you yourself become the manufacturer and must therefore also ensure that the resulting the resulting device complies with the regulations.

7. SUPPORT

We also support you after your purchase. If there are any questions left or if you encounter any problems, please feel free to contact us by mail, phone or by our ticket-system on our website.

E-Mail: service@joy-it.net

Ticket-System: <http://support.joy-it.net>

Telefon: +49 (0)2845 98469 – 66 (11- 18 o'clock)

For more information, please visit our website:

www.joy-it.net