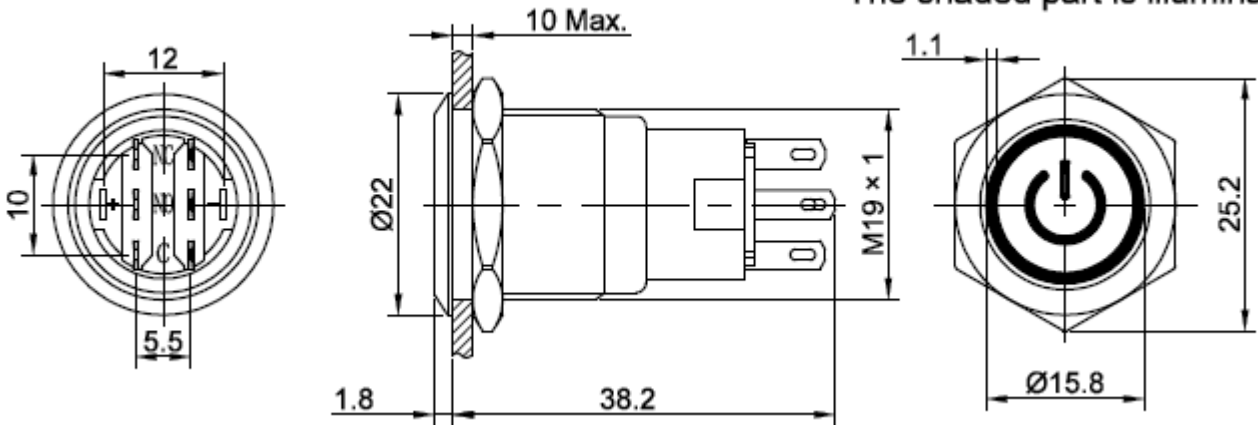


Data Sheet

Push button switch

Version 07/19

The shaded part is illuminated



10 MAX: means the panel thickness, the max thickness for the panel no more than 10mm.

Specification

Mounting diameter	19 mm
Head shape	Flat round head
Operation type	Momentary / Latching
Contact structure	1NO1NC
Switch rating	250VAC/3A
Illumination type	Ring and Power symbol
Terminal	Soldering Pins
Body material	Stainless steel
Operating and storage temperature	-25 to +55 °C
Operating and storage humidity	45 to 85 % RH
Base material	PBT
IP rating	IP65

Data Sheet

Item no.	Operation type	LED color	LED voltage
1873627	momentary	Red	12 V
1873628	momentary	Green	12 V
1873629	momentary	Blue	12 V
1873630	momentary	White	12 V
1873631	latching	Red	12 V
1873632	latching	Green	12 V
1873633	latching	Blue	12 V
1873634	latching	White	12 V