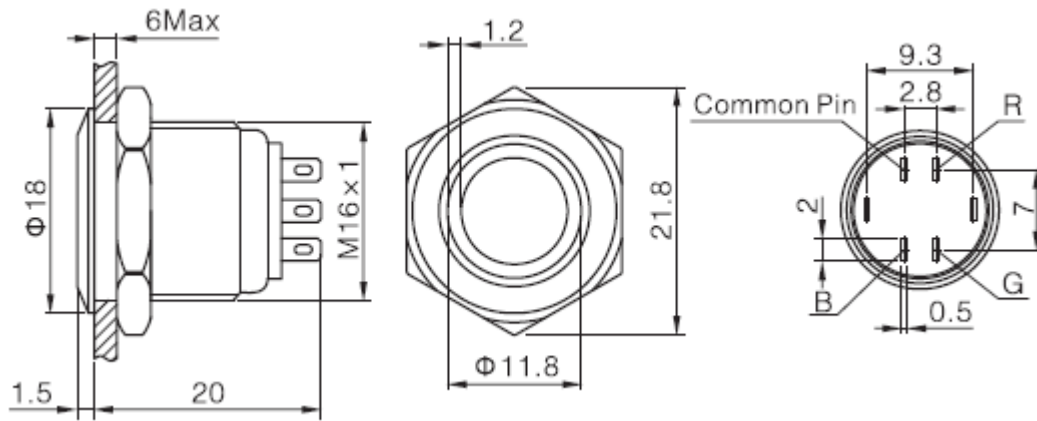


# Data Sheet

## Push button switch

Version 07/19



6 MAX: means the panel thickness, the max thickness for the panel no more than 6mm.

### Specification

Mounting diameter .....	16mm
Head shape .....	Flat round head
Operation type .....	Momentary
Contact structure .....	1NO
Switch rating .....	2A/48VDC
Illumination type .....	Ring
Terminal .....	Soldering Pins
Body material .....	Stainless steel
Operating and storage temperature .....	-25 to +55 °C
Operating and storage humidity .....	45 to 85 % RH
Base material .....	PA
IP rating .....	IP65

Item no.	Common Pin	LED color	LED voltage
1873653	Common cathode	RGB	12 V
1873654	Common anode	RGB	12 V