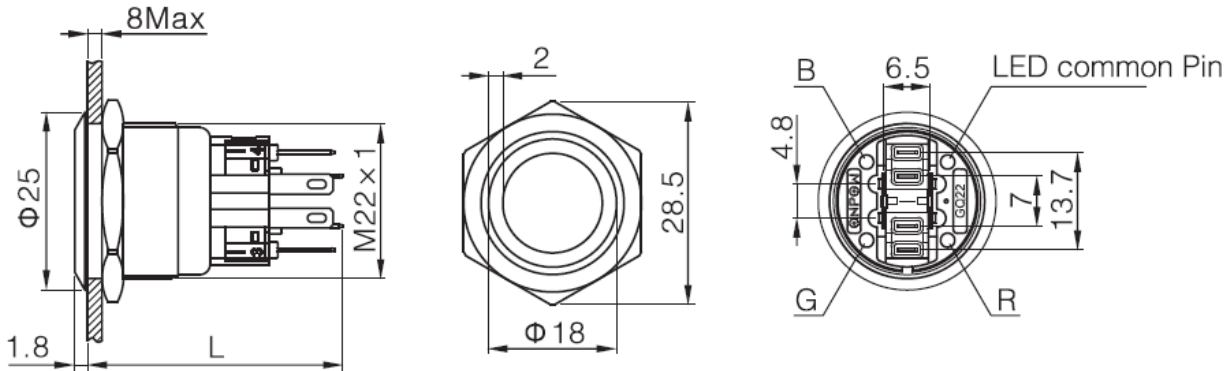


**Push button switch**

**Version 07/19**



L Value: momentary 35.8  
latching 40.5

8MAX: means the panel thickness, the max thickness for the panel no more than 8mm.

**Specification**

Mounting diameter .....	22mm
Head shape .....	Flat round head
Operation type .....	Momentary / Latching
Contact structure .....	1NO1NC
Switch rating .....	250VAC/3A
Illumination type .....	Ring
Terminal .....	Soldering Pins
Body material .....	Stainless steel
Operating and storage temperature .....	-25to +55 °C
Operating and storage humidity .....	45 to 85 % RH
Base material .....	PA
IP rating .....	IP65

Item no.	Operation type	Common Pin	LED color	LED voltage
1873659	momentary	Common cathode	RGB	12 V
1873660	momentary	Common anode	RGB	12 V
1873661	latching	Common cathode	RGB	12 V
1873662	latching	Common anode	RGB	12 V