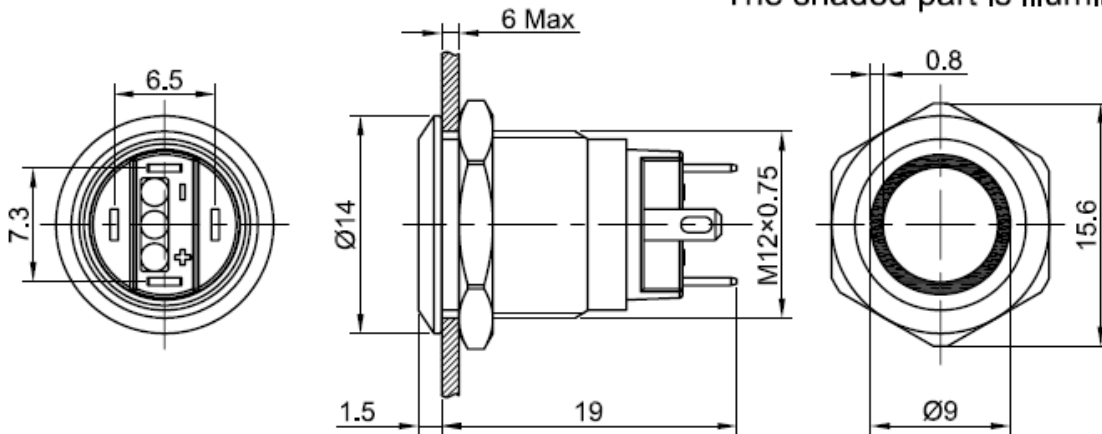


# Data Sheet

## Push button switch

The shaded part is illuminated



6MAX: means the panel thickness, the max thickness for the panel no more than 6mm.

### Specification

Mounting diameter .....	12mm
Head shape .....	Flat round head
Operation type .....	Momentary
Contact structure .....	1NO
Switch rating .....	2A/48VDC
Illumination type .....	Ring
Terminal .....	Soldering Pins
Body material .....	Stainless steel
Operating and storage temperature .....	-25 to +55 °C
Operating and storage humidity .....	45 to 85 % RH
Base material .....	PA
IP rating .....	IP65

Item no.	LED color	LED voltage
1873663	Red	12 V
1873664	Green	12 V
1873665	Blue	12 V
1873666	White	12 V