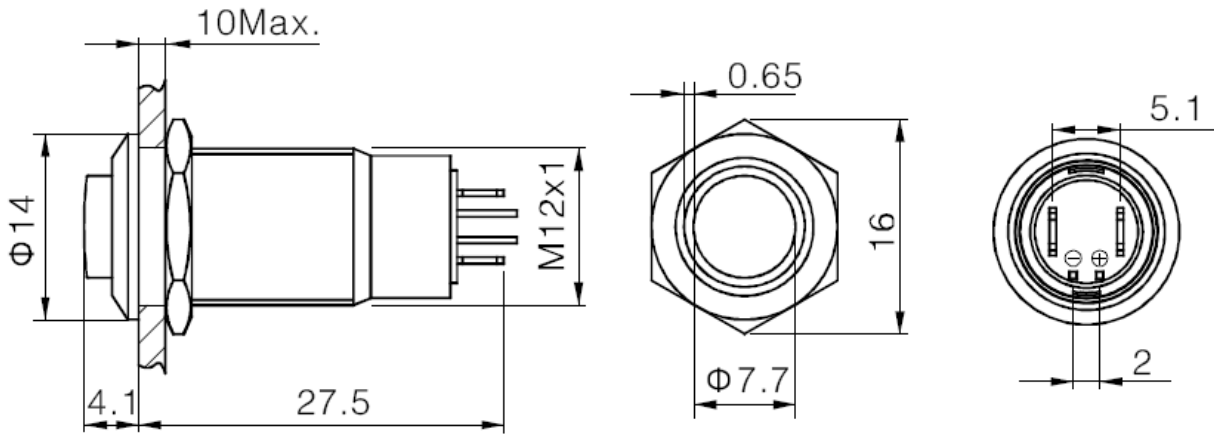


**Push button switch**

**Version 07/19**



10MAX: means the panel thickness, the max thickness for the panel no more than 10mm.

**Specification**

Mounting diameter .....	12mm
Head shape .....	High round head
Operation type .....	Latching
Contact structure .....	1NO
Switch rating .....	1A/36VDC
Illumination type .....	Ring
Terminal .....	Soldering Pins
Body material .....	Stainless steel
Operating and storage temperature .....	-25 to +55 °C
Operating and storage humidity .....	45 to 85 % RH
Base material .....	PA66
IP rating .....	IP40

Item no.	LED color	LED voltage
1873668	Red	12 V
1873669	Green	12 V
1873670	Blue	12 V
1873671	White	12 V

# Data Sheet

---

