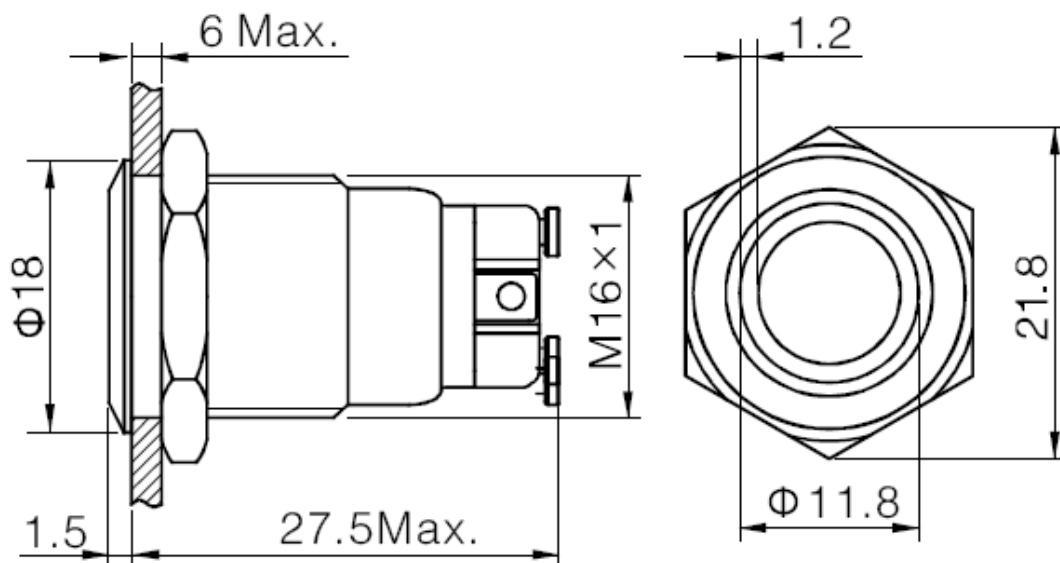


Data Sheet

Description name



6MAX: means the panel thickness, the max thickness for the panel no more than 6mm.

Data Sheet

Technical data

Mounting diameter	16mm
Head shape	Flat round head
Operation type	Momentary
Contact structure	1NO
Switch rating	2A/48VDC
Illumination type	Ring
Terminal	Screw
Body material	Stainless steel
Operating and storage temperature	-25 to +55 oC
Operating and storage humidity	45 to 85 % RH
Base material	PA
IP rating	IP65

Item no.	LED color	LED voltage
1873672	Red	12 V
1873673	Green	12 V
1873674	Blue	12 V
1873675	White	12 V