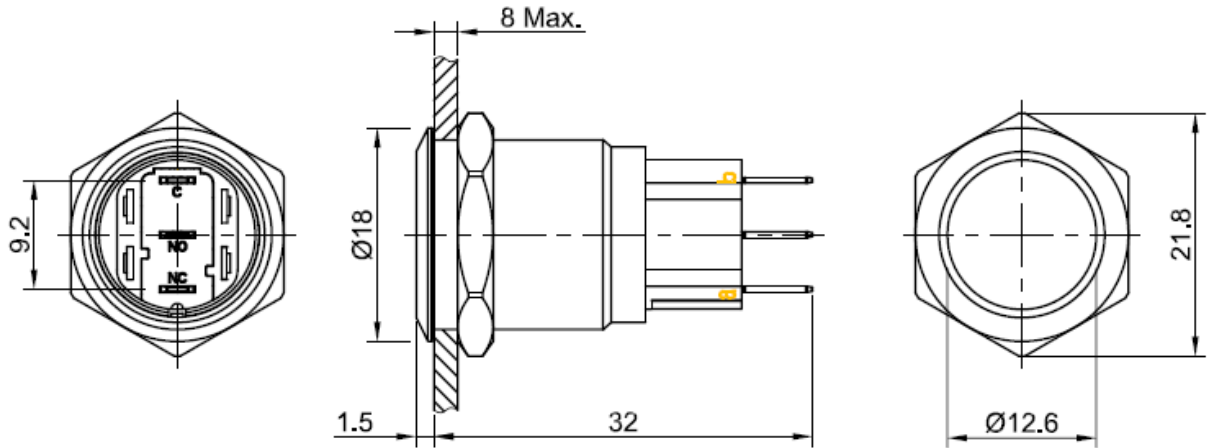


Push button switch

Version 07/19



8MAX: means the panel thickness, the max thickness for the panel no more than 8mm.

Specification

- Mounting diameter 16mm
- Head shape Flat round head
- Operation type Momentary / Latching
- Contact structure 1NO1NC
- Switch rating 2A/48VDC
- Terminal Soldering Pins
- Operating and storage temperature -25 to +55 °C
- Operating and storage humidity 45 to 85 % RH
- Base material PA
- IP rating IP65

Item no.	Operation type	Body material
1873676	momentary	Chrome plated brass
1873677	latching	Chrome plated brass
1873678	momentary	Stainless steel
1873679	latching	Stainless steel
1873680	momentary	Brass(Black)
1873681	latching	Brass(Black)