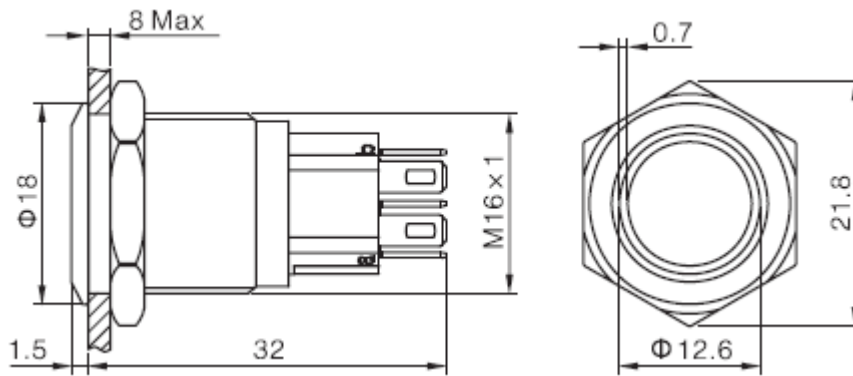
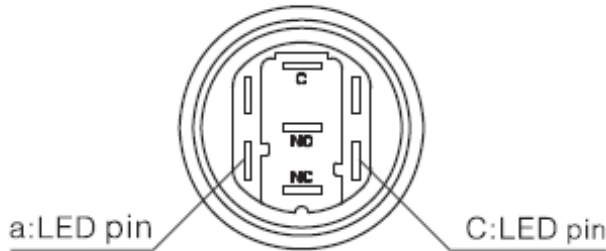


Data Sheet

Push button switch



8MAX: means the panel thickness, the max thickness for the panel no more than 8mm.

Specification

Mounting diameter	16mm
Head shape	Flat round head
Operation type	Momentary / Latching
Contact structure	1NO1NC
Switch rating	2A/48VDC
Illumination type	Ring
Terminal	Soldering Pins
Operating and storage temperature	-25 to +55 °C
Operating and storage humidity	45 to 85 % RH
Base material	PA
IP rating	IP65

Data Sheet

Item no.	Operation type	Body material	LED color	LED voltage
1873700	momentary	Chrome plated brass	Red	12 V
1873701	momentary	Chrome plated brass	Green	12 V
1873702	momentary	Chrome plated brass	Blue	12 V
1873703	momentary	Chrome plated brass	White	12 V
1873704	latching	Chrome plated brass	Red	12 V
1873705	latching	Chrome plated brass	Green	12 V
1873706	latching	Chrome plated brass	Blue	12 V
1873707	latching	Chrome plated brass	White	12 V
1873708	momentary	Stainless steel	Red	12 V
1873709	momentary	Stainless steel	Green	12 V
1873710	momentary	Stainless steel	Blue	12 V
1873711	momentary	Stainless steel	White	12 V
1873713	latching	Stainless steel	Red	12 V
1873714	latching	Stainless steel	Green	12 V
1873715	latching	Stainless steel	Blue	12 V
1873716	latching	Stainless steel	White	12 V
1873718	momentary	Brass(Black)	Red	12 V
1873719	momentary	Brass(Black)	Green	12 V
1873720	momentary	Brass(Black)	Blue	12 V
1873721	momentary	Brass(Black)	White	12 V
1873722	latching	Brass(Black)	Red	12 V
1873723	latching	Brass(Black)	Green	12 V
1873724	latching	Brass(Black)	Blue	12 V
1873725	latching	Brass(Black)	White	12 V