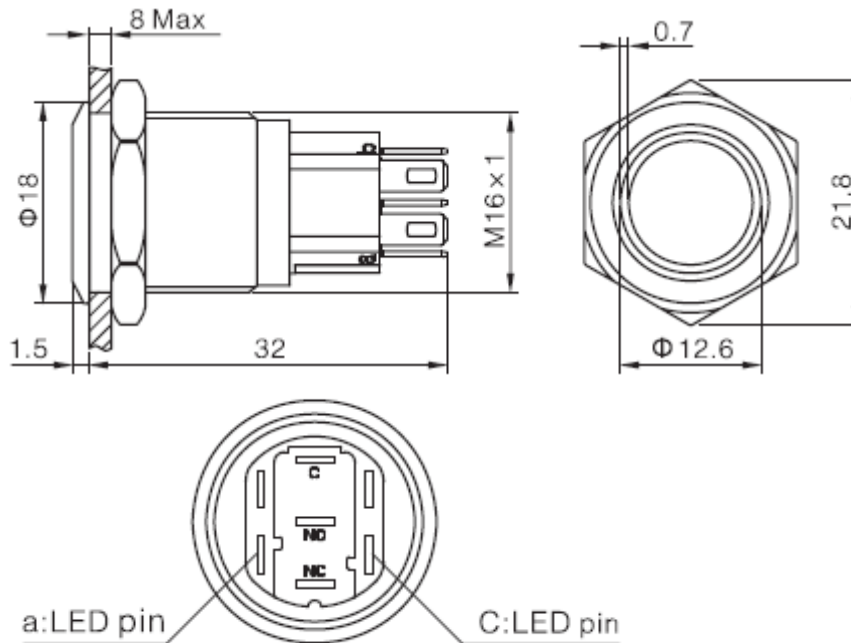


Data Sheet

Push button switch



8MAX: means the panel thickness, the max thickness for the panel no more than 8mm.

Specification

| | |
|---|----------------------|
| Mounting diameter | 16mm |
| Head shape | Flat round head |
| Operation type | Momentary / Latching |
| Contact structure | 1NO1NC |
| Switch rating | 2A/48VDC |
| Illumination type | Ring |
| Terminal | Soldering Pins |
| Operating and storage temperature | -25 to +55 °C |
| Operating and storage humidity | 45 to 85 % RH |
| Base material | PA |
| IP rating | IP65 |
| LED | Red 12V |
| Housing | Black plated brass |

Data Sheet

Red

