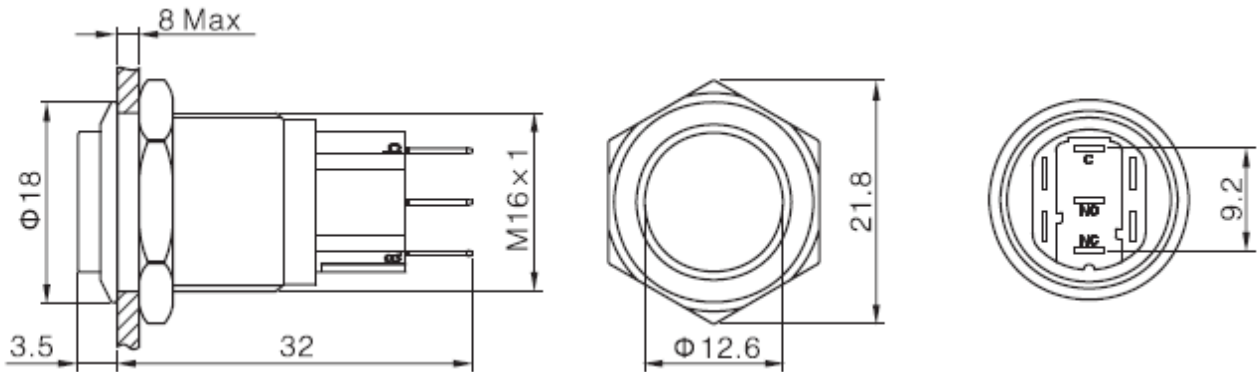


Push button switch

Version 07/19



8MAX: means the panel thickness, the max thickness for the panel no more than 8mm.

Specification

Mounting diameter	16mm
Head shape	High round head
Operation type	Momentary / Latching
Contact structure	1NO1NC
Switch rating	2A/48VDC
Terminal	Soldering Pins
Operating and storage temperature	-25 to +55 °C
Operating and storage humidity	45 to 85 % RH
Base material	PA
IP rating	IP65

Item no.	Operation type	Body material
1873726	momentary	Chrome plated brass
1873727	latching	Chrome plated brass
1873728	momentary	Stainless steel
1873729	latching	Stainless steel
1873730	momentary	Brass(Black)
1873731	latching	Brass(Black)