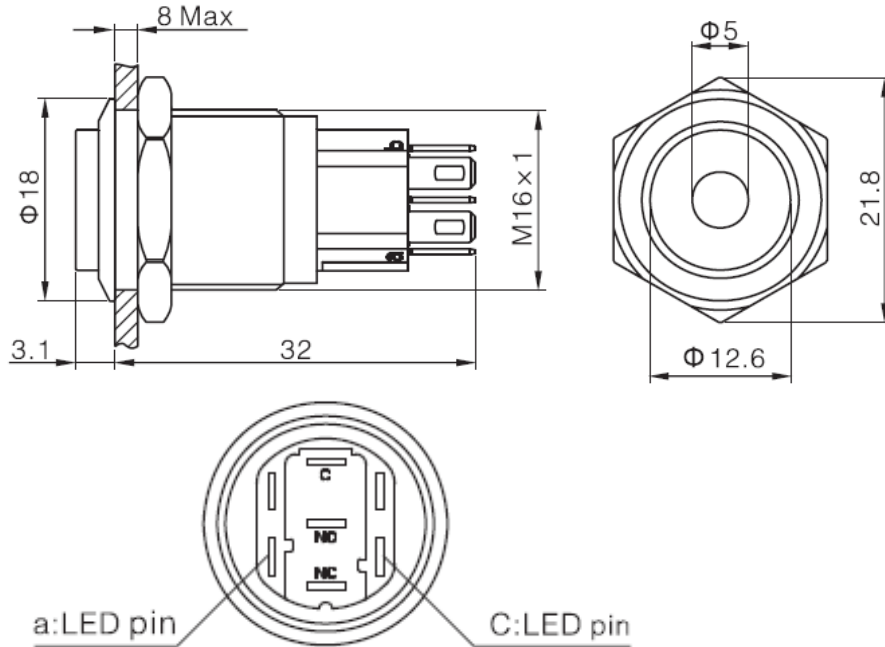


Data Sheet

Push button switch

Version 07/19



8MAX: means the panel thickness, the max thickness for the panel no more than 8mm.

Specification

Mounting diameter	16mm
Head shape	High round head
Operation type	Momentary / Latching
Contact structure	1NO1NC
Switch rating	2A/48VDC
Illumination type	Dot
Terminal	Soldering Pins
Operating and storage temperature	-25 to +55 °C
Operating and storage humidity	45 to 85 % RH
Base material	PA
IP rating	IP65

Data Sheet

Item no.	Operation type	Body material	LED color	LED voltage
1873732	momentary	Chrome plated brass	Red	12 V
1873733	momentary	Chrome plated brass	Green	12 V
1873734	momentary	Chrome plated brass	Blue	12 V
1873735	momentary	Chrome plated brass	White	12 V
1873736	latching	Chrome plated brass	Red	12 V
1873737	latching	Chrome plated brass	Green	12 V
1873738	latching	Chrome plated brass	Blue	12 V
1873739	latching	Chrome plated brass	White	12 V
1873740	momentary	Stainless steel	Red	12 V
1873741	momentary	Stainless steel	Green	12 V
1873742	momentary	Stainless steel	Blue	12 V
1873743	momentary	Stainless steel	White	12 V
1873745	latching	Stainless steel	Red	12 V
1873746	latching	Stainless steel	Green	12 V
1873747	latching	Stainless steel	Blue	12 V
1873748	latching	Stainless steel	White	12 V