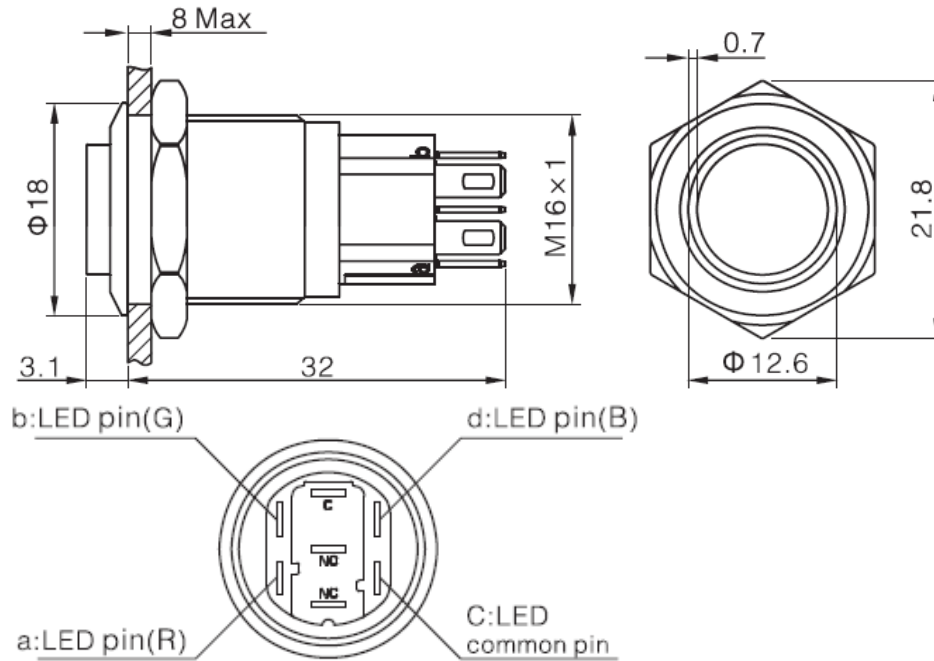


Push button switch



8MAX: means the panel thickness, the max thickness for the panel no more than 8mm.

Specification

Mounting diameter	16mm
Head shape	High round head
Operation type	Momentary / Latching
Contact structure	1NO1NC
Switch rating	2A/48VDC
Illumination type	Ring
Terminal	Soldering Pins
Operating and storage temperature	-25 to +55 °C
Operating and storage humidity	45 to 85 % RH
Base material	PA
IP rating	IP65

Item no.	Operation type	Body material	Common Pin	LED color	LED voltage
1873762	momentary	Stainless steel	Common cathode	RGB	12 V
1873767	latching	Stainless steel	Common cathode	RGB	12 V
1873772	momentary	Aluminium alloy(Black)	Common cathode	RGB	12 V
1873777	latching	Aluminium alloy(Black)	Common cathode	RGB	12 V