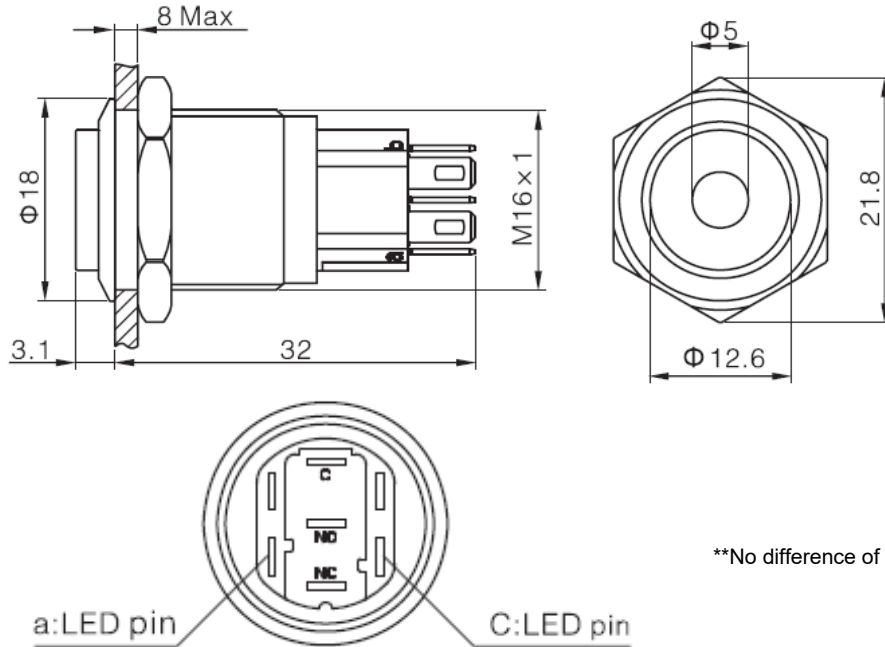


Data Sheet

Push button switch

Version 07/19



**No difference of anode and cathode

8MAX: means the panel thickness, the max thickness for the panel no more than 8mm.

Specification

Mounting diameter	16mm
Head shape	High round head
Operation type	Momentary / Latching
Contact structure	1NO1NC
Switch rating	2A/48VDC
Illumination type	Dot
Terminal	Soldering Pins
Operating and storage temperature	-25 to +55 °C
Operating and storage humidity	45 to 85 % RH
Base material	PA
IP rating	IP65
Mechanical cycle.....	500,000 cycles
Electrical cycle.....	50,000 cycles

Data Sheet

Item no.	Operation type	Body material	LED color	LED voltage
1873750	momentary	Chrome plated brass	Red	12 V
1873751	momentary	Chrome plated brass	Green	12 V
1873752	momentary	Chrome plated brass	White	12 V
1873753	momentary	Chrome plated brass	Blue	12 V
1873754	latching	Chrome plated brass	Red	12 V
1873755	latching	Chrome plated brass	Green	12 V
1873756	latching	Chrome plated brass	White	12 V
1873757	latching	Chrome plated brass	Blue	12 V
1873758	momentary	Stainless steel	Red	12 V
1873759	momentary	Stainless steel	Green	12 V
1873760	momentary	Stainless steel	White	12 V
1873761	momentary	Stainless steel	Blue	12 V
1873763	latching	Stainless steel	Red	12 V
1873764	latching	Stainless steel	Green	12 V
1873765	latching	Stainless steel	White	12 V
1873766	latching	Stainless steel	Blue	12 V
1873768	momentary	Aluminium alloy (Black)	Red	12 V
1873769	momentary	Aluminium alloy (Black)	Green	12 V
1873770	momentary	Aluminium alloy (Black)	White	12 V
1873771	momentary	Aluminium alloy (Black)	Blue	12 V
1873773	latching	Aluminium alloy (Black)	Red	12 V
1873774	latching	Aluminium alloy (Black)	Green	12 V
1873775	latching	Aluminium alloy (Black)	White	12 V
1873776	latching	Aluminium alloy (Black)	Blue	12 V