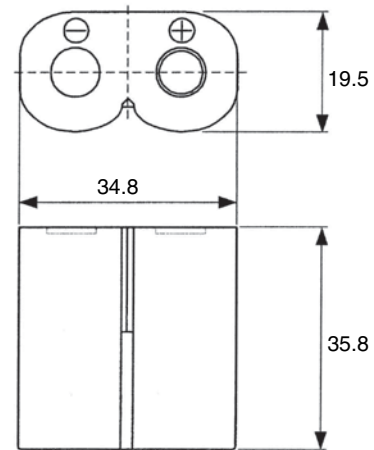


Description	: Lithium Battery
Chemical System	: Lithium Manganese Dioxide
Nominal Voltage	: 6.0 Volts
Nominal Capacity	: 1400mAh
Dimensions	: 34.8(L) x 19.5(W) x 35.8(H)mm
Terminals	: Flat, Connector
Jacket	: Plastic Case
Shelf Life	: 10 years
Average Weight	: App. 37g
Application	: Photo

Model No.: **GPCR-P2**

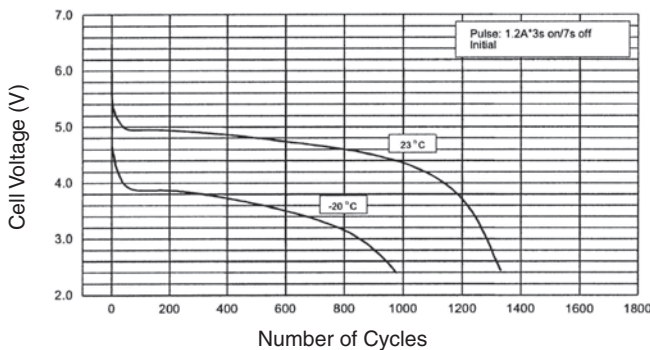
Cross References:

GP	IEC	Eveready	Duracell
CR-P2	CR-P2	EL223AP	DL223A

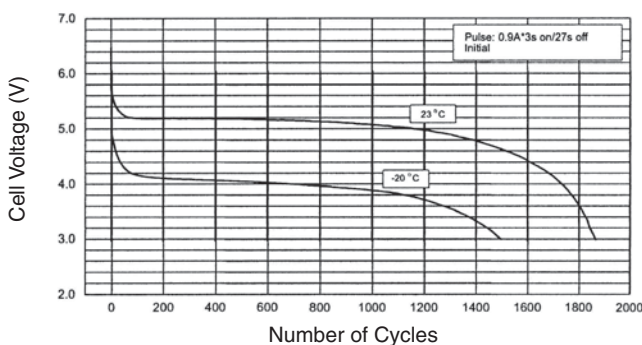


Unit : mm

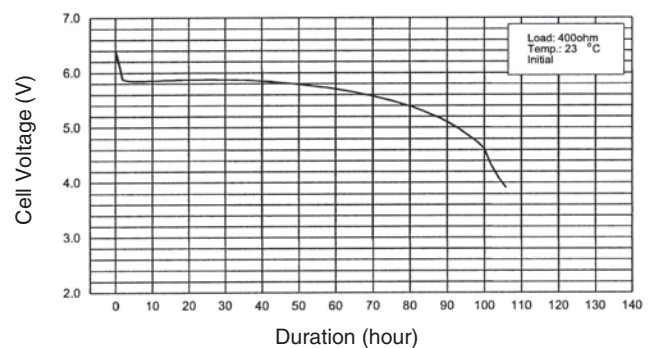
Pulse Discharge Characteristics of CR-P2



Pulse Discharge Characteristics of CR-P2



Discharge Characteristics of CR-P2



The information (subject to change without prior notice) contained in this document is for reference only and should not be used as a basis for product guarantee or warranty. For applications other than those described here, please consult your nearest GP Sales and Marketing Office or Distributors.

www.gpbatteries.com

Manufacturer reserves the right to alter or amend the design, model and specification without prior notice.
Copyright © GPI International Ltd. - All rights reserved

Member
Gold Peak Group

09090109185