

# 722 Series

## Electromechanical Hour Meter



The Redington Model 722 provides an AC Hour Meter with an operating range of 90-264VAC 50/60 Hz. You no longer require two separate meters, one for 115VAC and one for 230VAC. Models are available in the standard industry housings, 2-Hole Rectangular, Flush-Rectangular, Flush-Round and 3-Hole Round. Its quartz time base insures accurate long-term time keeping. The Totally Sealed case protects against the environment and provides years of reliable service. All models are NEMA 4X,12 rated when mounted with optional gasket.

### Key Features

- Operating voltage 90-264VAC 50/60Hz
- Totally Sealed
- UL/cUL Recognized, CE & RoHS Compliant
- 6 Figure, 99999.9
- Quartz accuracy
- Options include:
  - Wire leads
  - Gasket kit (for NEMA 4X, 12 rating)
  - Custom lens
  - Terminals up, down, straight

### Applications

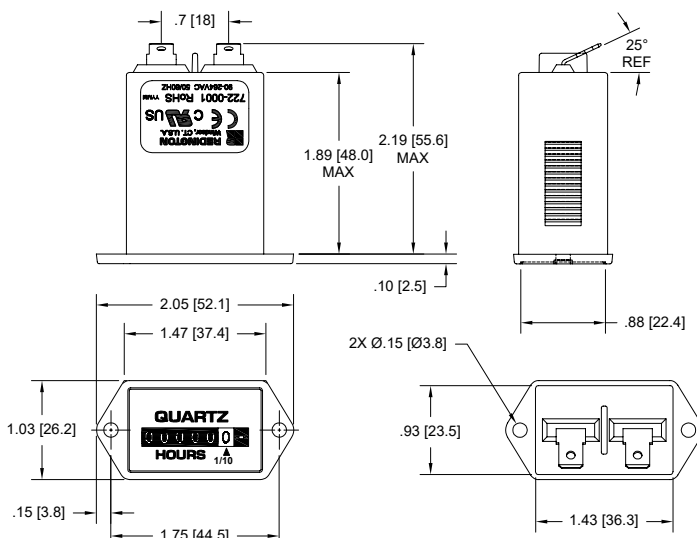
- Medical Equipment
- Control Panels
- Office Equipment
- Test Equipment
- Generators

## Specification

<b>Figures</b>	6 - digits, 0.14" [3.6mm] 99999.9 Hours and indicator - white on black Decimal - black on white
<b>Reset</b>	Non-reset
<b>Voltage</b>	90-264VAC
<b>Frequency</b>	50/60Hz
<b>Power</b>	1 watt max.
<b>Mount</b>	Clip or mounting holes
<b>Terminations</b>	1/4" [6.3mm] spade terminals
<b>Weight</b>	~2 oz [57 g]
<b>Accuracy</b>	± 0.02% over entire range
<b>Case Material</b>	Black polymer
<b>Lens Material</b>	Polymer
<b>Approvals</b>	UL/cUL Recognized, CE & RoHS Compliant, SAE & NEMA 4X, 12 Compliant
<b>Environmental</b>	Totally Sealed
<b>Front Panel</b>	NEMA 4X, 12 rated with optional gasket
<b>Temp. Range</b>	-40°F to +185°F [-40°C to + 85°C]
<b>Humidity</b>	95% (SAE J1378)
<b>Vibration</b>	10-80 Hz. 20g max. (SAE J1378)
<b>Shock</b>	55g @ 9 - 13msec (SAE J1378)

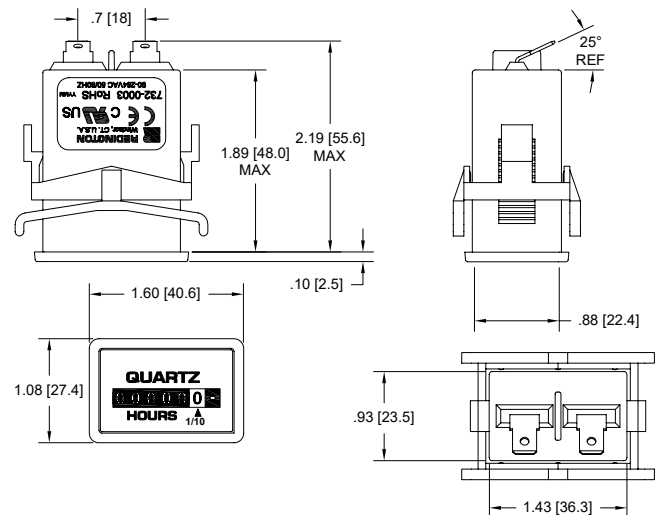
## Dimensions

### 2-Hole

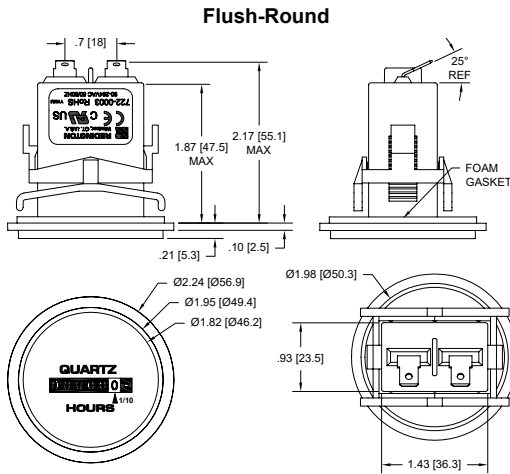


Panel Opening: 1.45" X 0.95" [36.8 X 24.1]

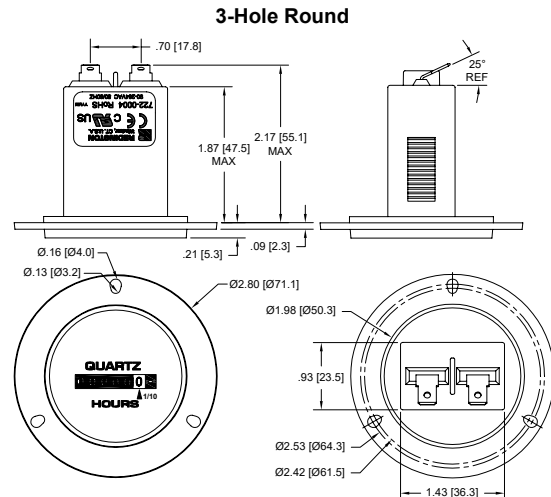
### Flush-Rectangular



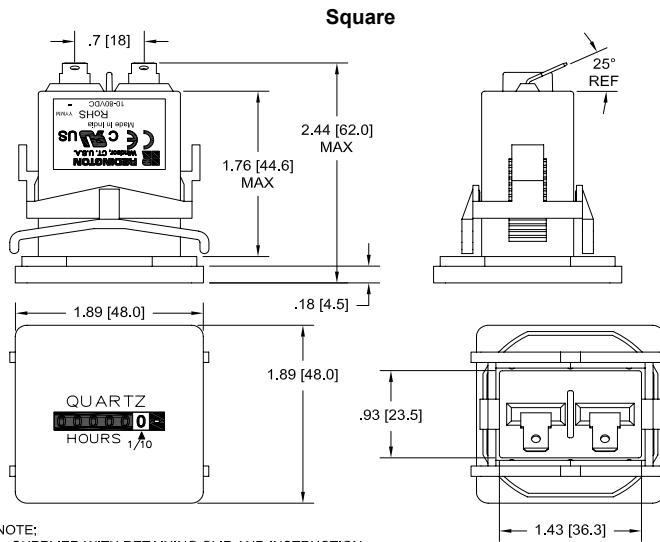
Panel Opening: 1.45" X 0.95" [36.8 X 24.1]  
Panel Thickness: 0.03 to 0.63 [0.76 to 16.00]



Panel Opening: 2.0" [50.6]  
Panel Thickness: 0.40 [10.2] Max.



Panel Opening: 2.0" [50.6]



NOTE:  
SUPPLIED WITH RETAINING CLIP AND INSTRUCTION SHEET 211013-321 IN A LABELED BOX.

PANEL CUTOUT: 1.77 [45] X 1.77 [45]  
MAX PANEL THICKNESS: 0.40 [10.2]

## Part Numbers

<b>722-0001</b>	2-Hole Rectangular, 90-264VAC 50/60Hz, ¼" [6.3mm] spade terminals, hours & 1/10's
<b>722-0002</b>	Flush-Rectangular, 90-264VAC 50/60Hz, ¼" [6.3mm] spade terminals, hours & 1/10's
<b>722-0003</b>	Flush-Round, 90-264VAC 50/60Hz, ¼" [6.3mm] spade terminals, hours & 1/10's
<b>722-0004</b>	3-Hole Round, 90-264VAC 50/60Hz, ¼" [6.3mm] spade terminals, hours & 1/10's
<b>722-0030</b>	Square 1.9", 90-264VAC 50/60Hz, ¼" [6.3mm] spade terminals, hours & 1/10's
<b>5003-010</b>	NEMA 4X, 12 Gasket for Model 722-0001
<b>5003-009</b>	NEMA 4X, 12 Gasket for Model 722-0002
<b>5003-008</b>	NEMA 4X, 12 Gasket for Model 722-0003
<b>5003-011</b>	NEMA 4X, 12 Gasket for Model 722-0004

