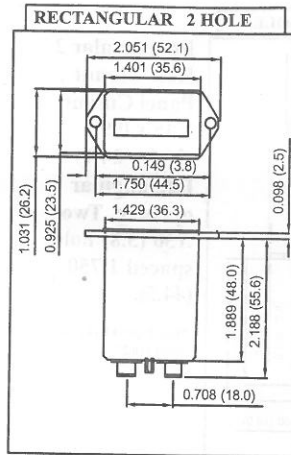


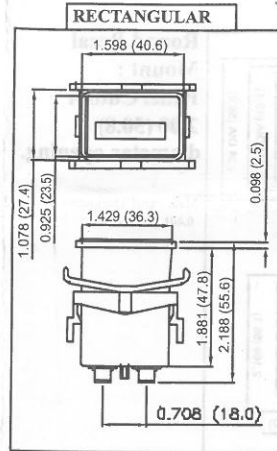
MOUNTING INFORMATION & WIRING DIAGRAMS

722 Series - (Alternating Current) : 90-264 VAC



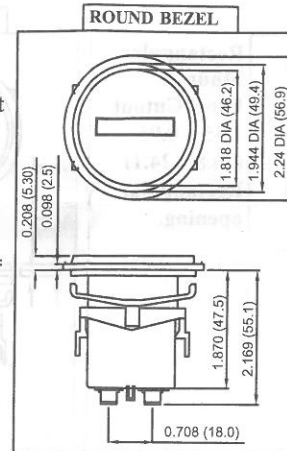
Rectangular 2 Hole Mount : Panel Cutout 1.45 x 0.95 (36.8 x 24.1) Rectangular opening. Two .150 (3.8) holes spaced 1.750 (44.5).

Max. Panel Thickness : 0.401 (10.20)



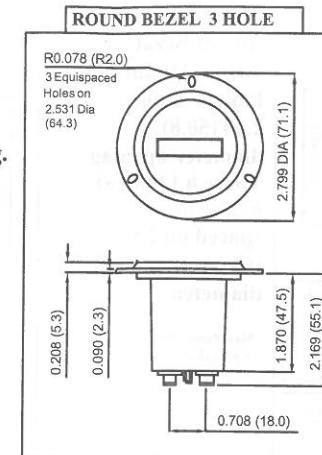
Rectangular Mount : Panel Cutout 1.45 x 0.95 (36.8 x 24.1) Rectangular opening.

Max. Panel Thickness : 0.401 (10.20)



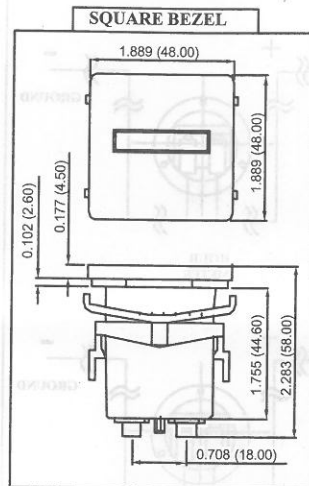
Round Bezel Mount : Panel Cutout 2.00 (50.8) diameter opening.

Max. Panel Thickness : 0.401 (10.20)



Round Bezel 3 Hole Mount : Panel Cutout 2.00 (50.8) diameter opening. Three 0.149 (3.8) holes equally spaced on 2.52 (64.26) bolt circle diameter.

Max. Panel Thickness : 0.401 (10.20)



Square Housing 48 x 48 Panel cutout 45 x 45 opening.

Max. Panel Thickness : 0.401 (10.20)

Diagram A

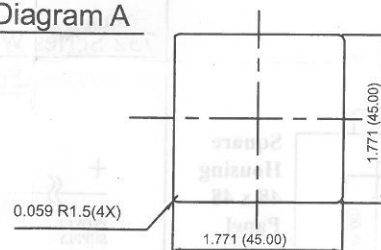


Diagram B

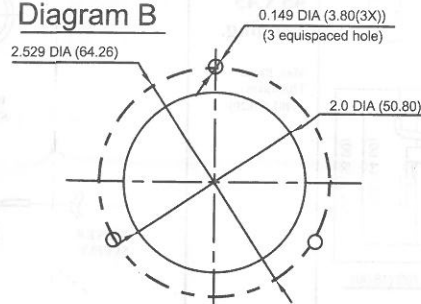
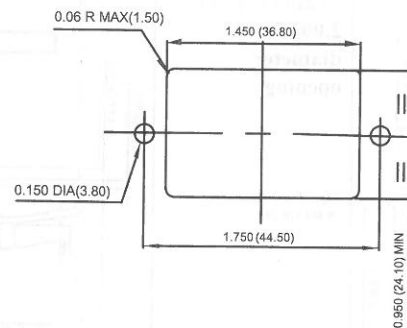


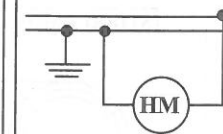
Diagram C



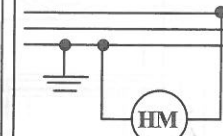
Max. Panel Thickness : 0.029 (0.76) to 0.401(10.20)
Panel cutout Dimensions - Tolerance : ± 0.010 (0.30)
All dimensions are in Inches , () dimensions are in mm

722 Series Wiring Diagram

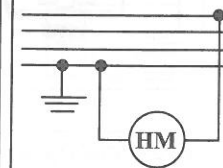
For AC Hour Meter Application



Single phase, 2 wire, 120/240 V system: Connect power wire to one terminal and neutral wire to opposite terminal.



Single phase, 3 wire, 120/240 V system: Connect any one power wire to one terminal and neutral wire to opposite terminal.



Three phase, 4 wire, 120/240 V system: Connect any one power wire to one terminal and neutral wire to opposite terminal.