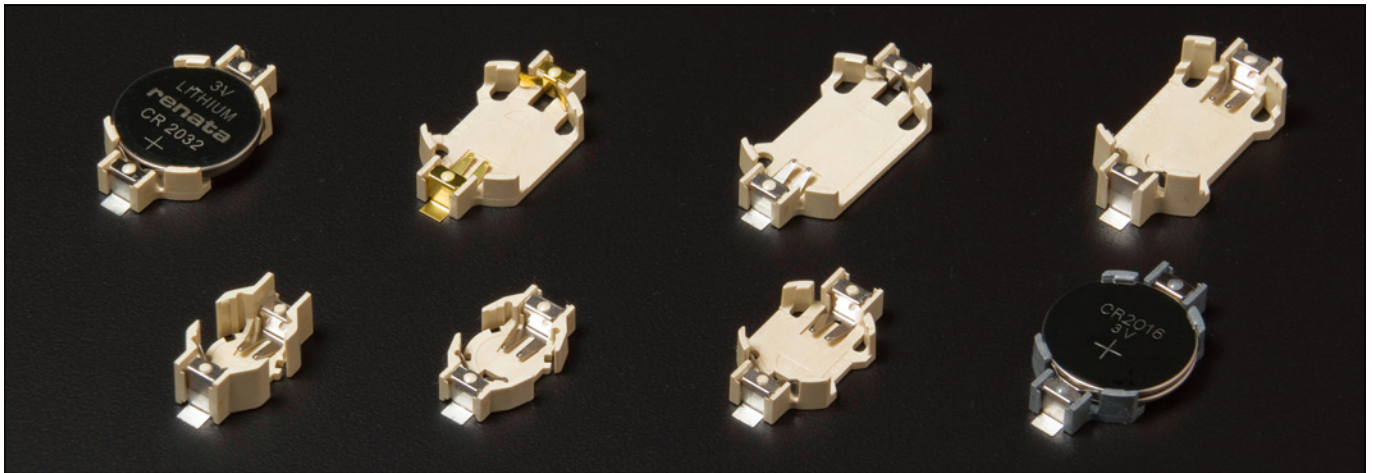


SMTU SERIES

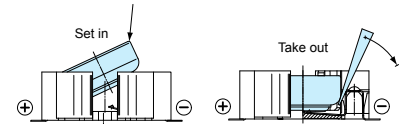
Technical data
 Operating temperature
 -40°C ~ +100°C

SMTU SMT COIN CELL HOLDER



- Coin cell size can be selected from LR-44 to CR2450.
- SMT type.
- Heat-resistant glass fiber filled LCP and suitable for reflow soldering.

How to replace a coin cell



Components

| Holder material | Contact material | Contact finish |
|---------------------------------------|------------------|---|
| Glass fiber filled LCP (UL94V-0) | SUS301 | Battery contact = Nickel plated, Solder area contact = Sn plated over nickel Gold plated over nickel (SMTU1220-G · SMTU2032-1-G only) |

Part no. / Sales unit

| Part no. | Battery | Contact finish | Color | Sales unit |
|-----------------|-----------------|----------------|-------|---------------|
| SMTU357 | LR44 / SR44 | Ni + Sn plated | Ivory | 1 |
| SMTU1220 | CR1220 | Ni + Sn plated | Ivory | 1 |
| SMTU1220-G | CR1220 | Gold plated | Ivory | 1 |
| SMTU1225 | CR1225/BR1225 | Ni + Sn plated | Ivory | 1 |
| SMTU1632 | CR1632 | Ni + Sn plated | Ivory | 1 |
| SMTU2-2016 | CR2016×2 ※1 | Ni + Sn plated | Gray | 1 |
| SMTU2032 | CR2032 | Ni + Sn plated | Ivory | 1 |
| SMTU2032-1-G | CR2032 | Gold plated | Ivory | 1 |
| SMTU2430 | CR2430 | Ni + Sn plated | Ivory | 1 |
| SMTU2450 | CR2450 ※2 | Ni + Sn plated | Ivory | 1 |
| SMTU357-T | LR44 / SR44 | Ni + Sn plated | Ivory | 50pcs / tray |
| SMTU1220-TR | CR1220 | Ni + Sn plated | Ivory | 750pcs / reel |
| SMTU1220-G-TR | CR1220 | Gold plated | Ivory | 750pcs / reel |
| SMTU1225-TR | CR1225 / BR1225 | Ni + Sn plated | Ivory | 750pcs / reel |
| SMTU1632-T | CR1632 | Ni + Sn plated | Ivory | 50pcs / tray |
| SMTU2-2016-T | CR2016×2 ※1 | Ni + Sn plated | Gray | 50pcs / tray |
| SMTU2032-TR | CR2032 | Ni + Sn plated | Ivory | 485pcs / reel |
| SMTU2032-1-G-TR | CR2032 | Gold plated | Ivory | 485pcs / reel |
| SMTU2430-TR | CR2430 | Ni + Sn plated | Ivory | 490pcs / reel |
| SMTU2450-TR | CR2450 ※2 | Ni + Sn plated | Ivory | 350pcs / reel |

Some batteries are not adaptable to SMTU2-2016 and SMTU2450. Please check below matrix.
 If use non-listed battery, please check fitting and electrification before use.

※1 SMTU2-2016

| Brand (Product no.) | Adaptive |
|---------------------|----------|
| FDK (CR2016C) | ○ |
| maxell (CR2016 1BS) | ○ |
| MITSUBISHI (CR2016) | ○ |
| Panasonic (CR2016) | × |
| RENATA (CR2016 MFR) | ○ |
| SONY (CR2016-ECO) | ○ |
| TOSHIBA (CR2016EC) | ○ |

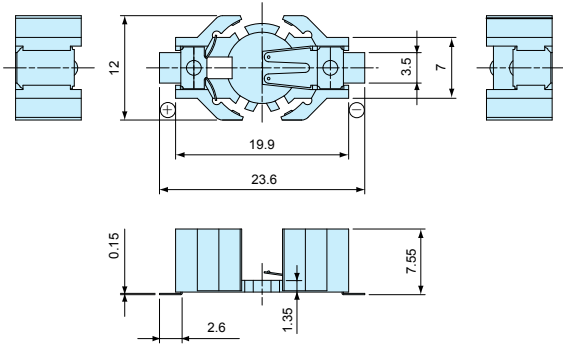
※2 SMTU2450

| Brand (Product no.) | Adaptive |
|----------------------|----------|
| FDK (CR2450C) | ○ |
| maxell (CR2450) | ○ |
| maxell (CR2450HR) | × |
| maxell(CR2450HR-Ex) | × |
| MITSUBISHI (CR2450B) | ○ |

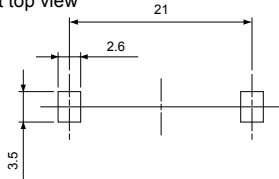
| Brand (Product no.) | Adaptive |
|---------------------|----------|
| Panasonic (CR2450) | × |
| RENATA (CR2450N) | ○ |
| SANYO (CR2450-1BP) | ○ |
| SONY (CR2450B-ECO) | ○ |

• CAD data is downloadable from our website.

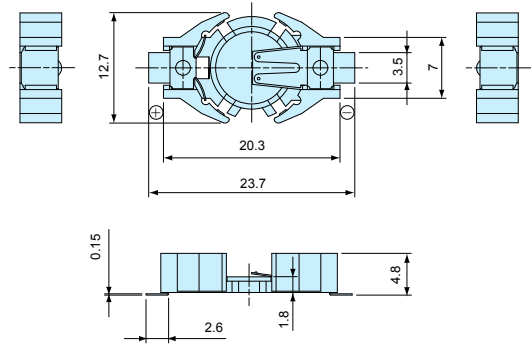
SMTU357



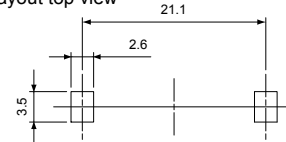
PCB layout top view



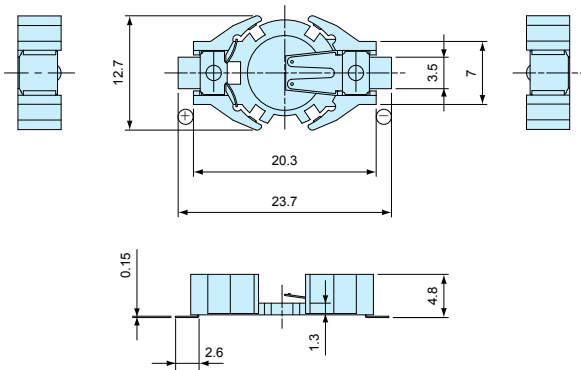
SMTU1220 / 1220-G



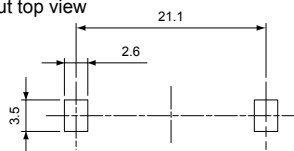
PCB layout top view



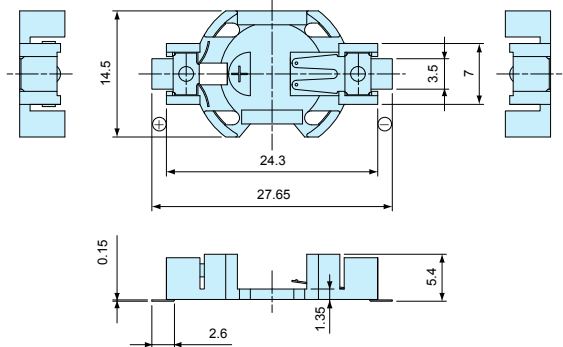
SMTU1225



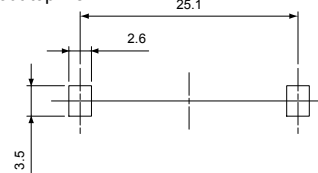
PCB layout top view



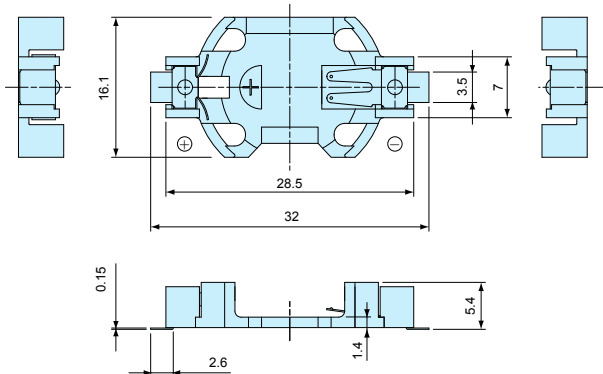
SMTU1632



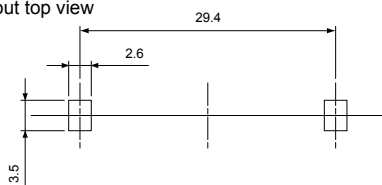
PCB layout top view



SMTU2032 / 2032-1-G / 2-2016



PCB layout top view



• The outer dimensions of SMTU2032 and SMTU2-2016 are the same, but they are different in appearance of the positive contact. Please refer to the following pictures.

SMTU2032

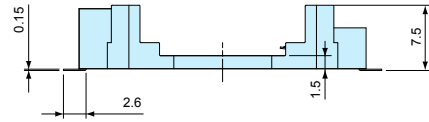
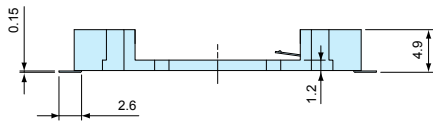
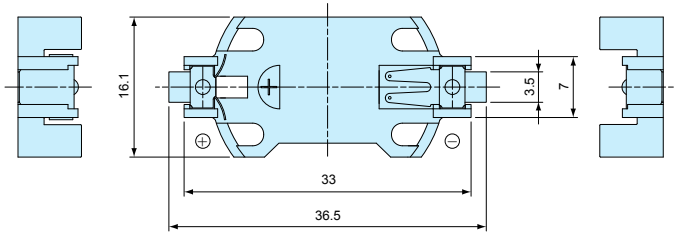
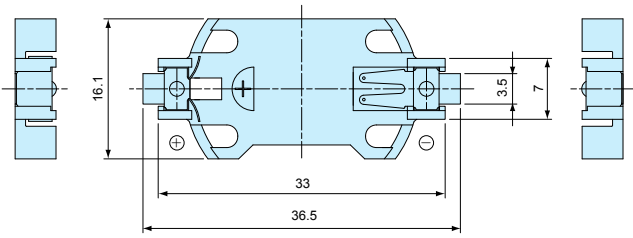


SMTU2-2016

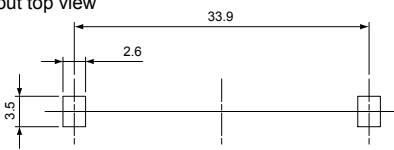


SMTU2430

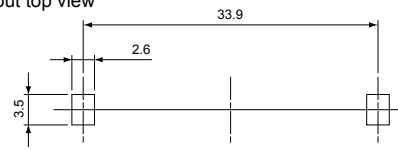
SMTU2450



PCB layout top view

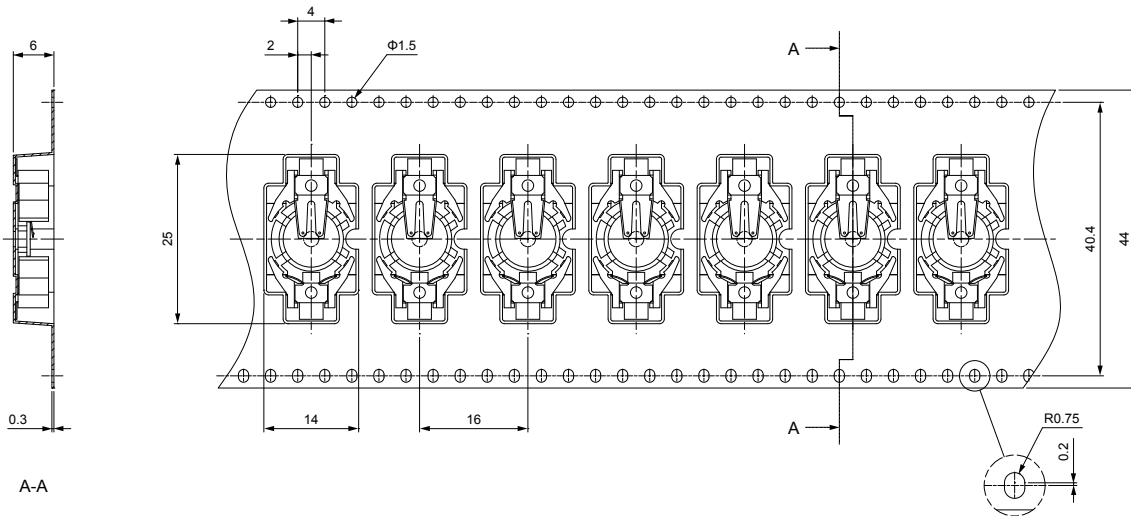


PCB layout top view



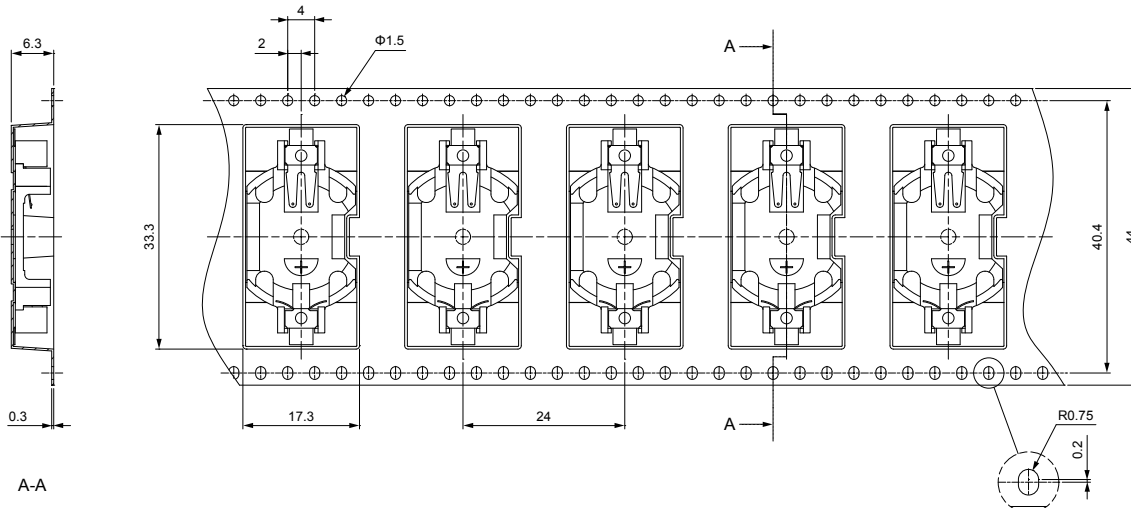
Taping dimensions

SMTU1220-TR/SMTU1220-G-TR/SMTU1225-TR



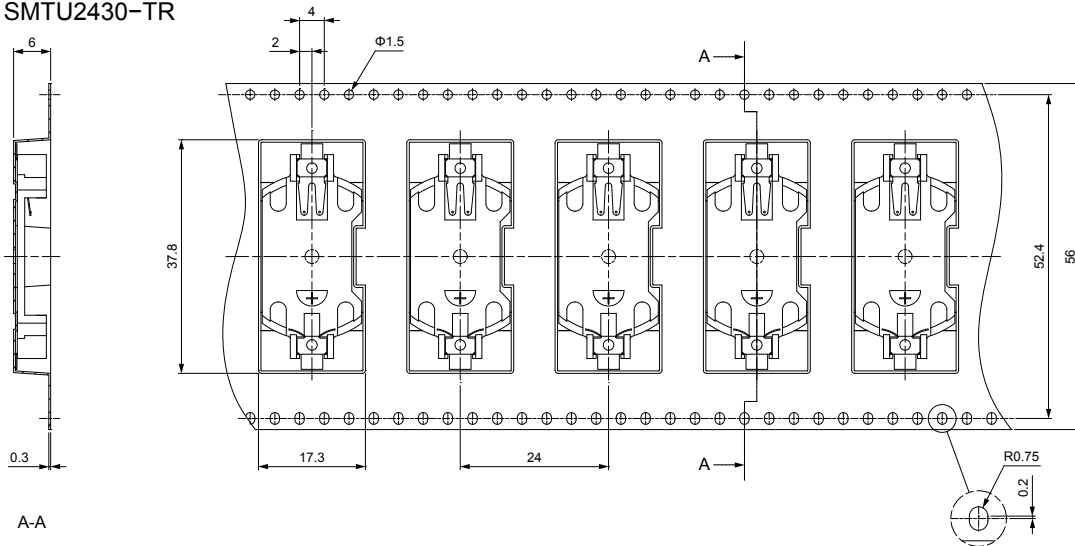
A-A

SMTU2032-TR/SMTU2032-1-G-TR



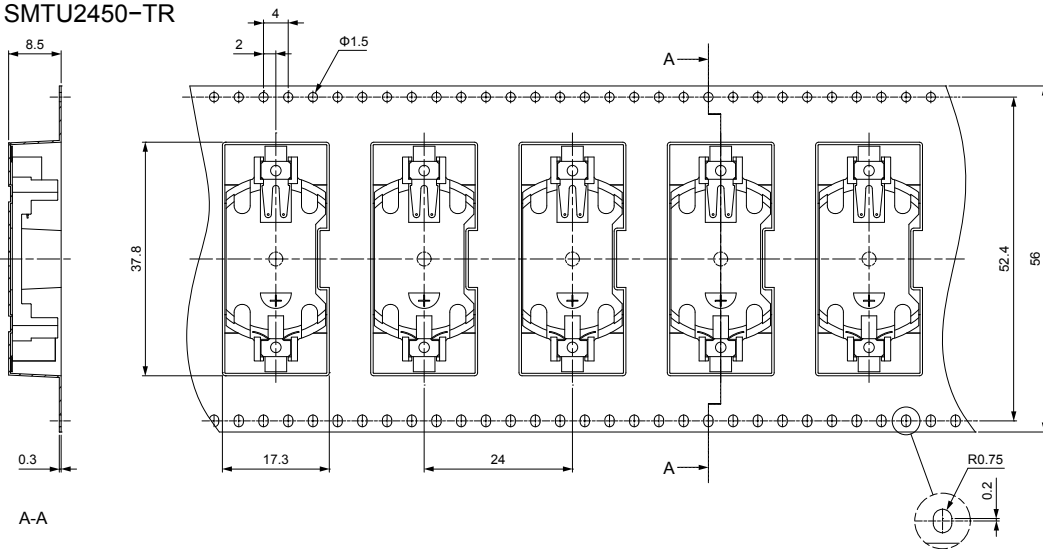
A-A

SMTU2430-TR



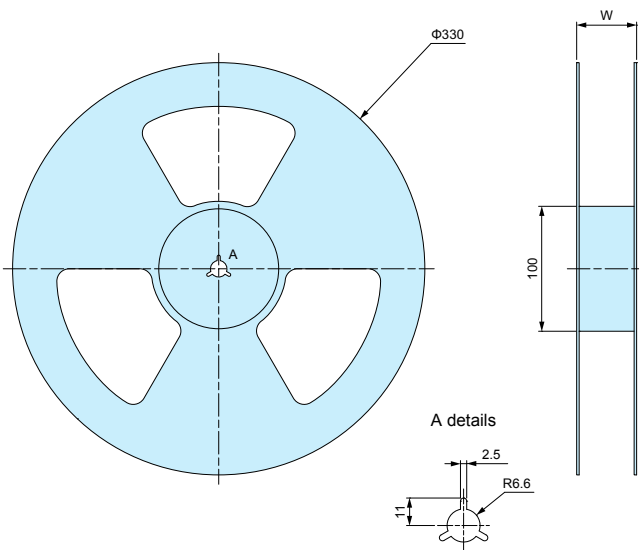
A-A

SMTU2450-TR



A-A

Reel dimensions



| Part no. | Pcs / Reel | W |
|-----------------|------------|------|
| SMTU1220-TR | 750 | 48.5 |
| SMTU1220-G-TR | | |
| SMTU1225-TR | 750 | 48.5 |
| SMTU2032-TR | 485 | 48.5 |
| SMTU2032-1-G-TR | | |
| SMTU2430-TR | 490 | 61.5 |
| SMTU2450-TR | 350 | 61.5 |