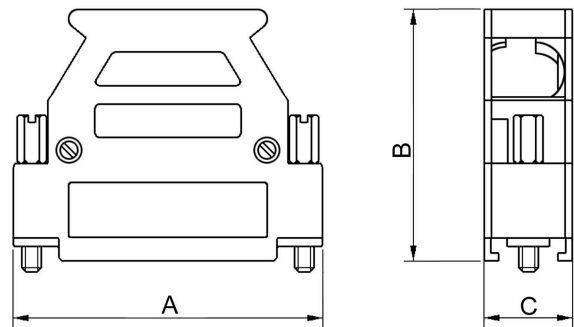
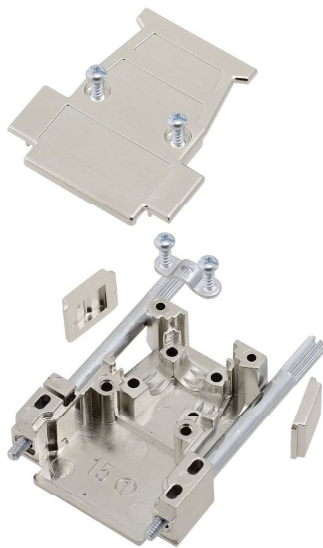
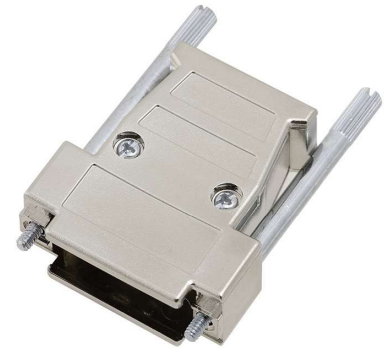


D-Sub Metalized Plastic Cover, with variable cable entry

TECHNICAL SPECIFICATIONS

Material: UL 94 V-0 ABS Plastic
 Colour: Metalized
 Operating Temperature: -55c° to +110c°
 Cable Entry: 09-way Top only
 15-50-way Side / Top / Side
 Cable O.D: 9-15way Up to 7mm
 25-50-way Up to 10mm
 Thumbscrews: Short, UNC 4-40
 M2,5 or M3 on request



Features:

- Available in sizes 9-15-25-37-50
- Supplied with blanking plates
- Clamp and Screws for complete flexibility
- Also available in unshielded version
- Extra screws + clamps can be ordered separately

D3PK - Series	Dim A	Dim B	Dim C
09-way	31,6	45,8	15,4
15-way	40,0	45,5	15,7
25-way	53,5	45,5	15,4
37-way	69,7	45,5	15,4
50-way	67,2	45,5	19,2

Ordering information:

Size:	P/N - Kitted:	Product Code:
9-way	1260-0106-01	D3PK09-M-LJS-K
15-way	1260-0106-02	D3PK15-M-LJS-K
25-way	1260-0106-03	D3PK25-M-LJS-K
37-way	1260-0106-04	D3PK37-M-LJS-K
50-way	1260-0106-05	D3PK50-M-LJS-K



Encitech AB
 Rörkullsvägen 4
 SE-302 41 HALMSTAD, Sweden

Tel.: +46-(0)35-15 13 90
 Fax: +46-(0)35-15 13 99

www.encitech.com