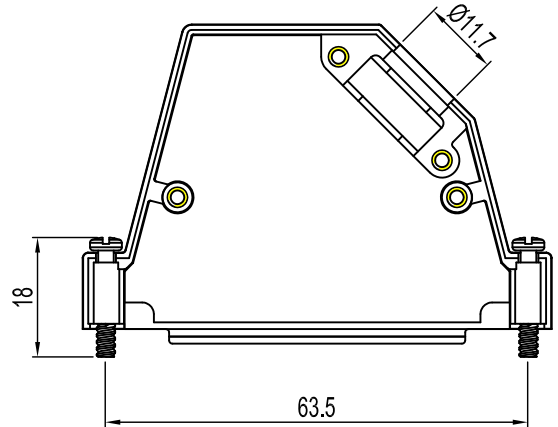
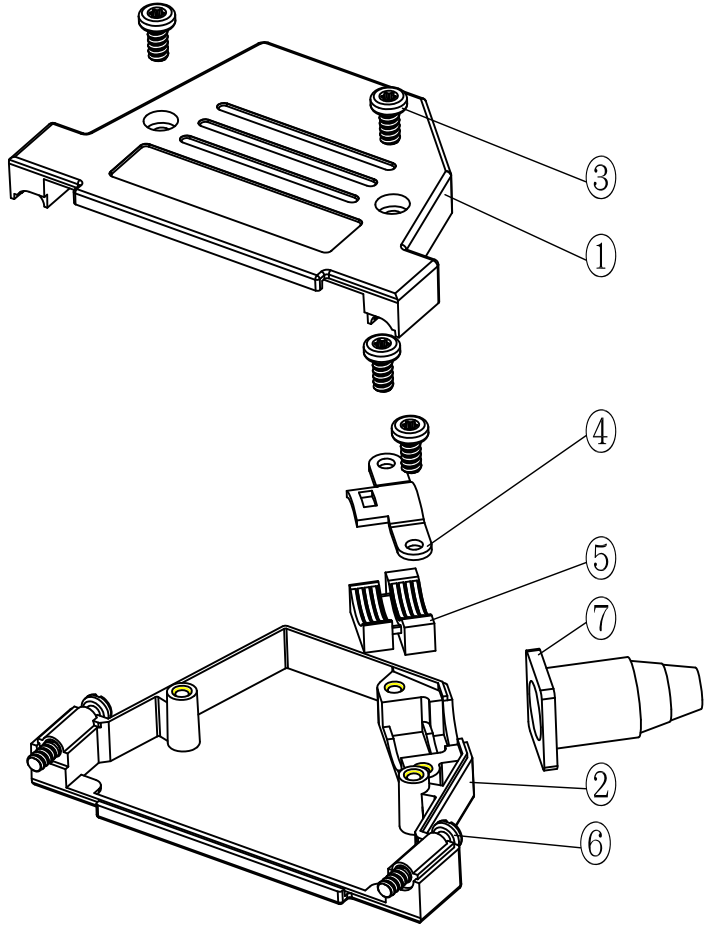
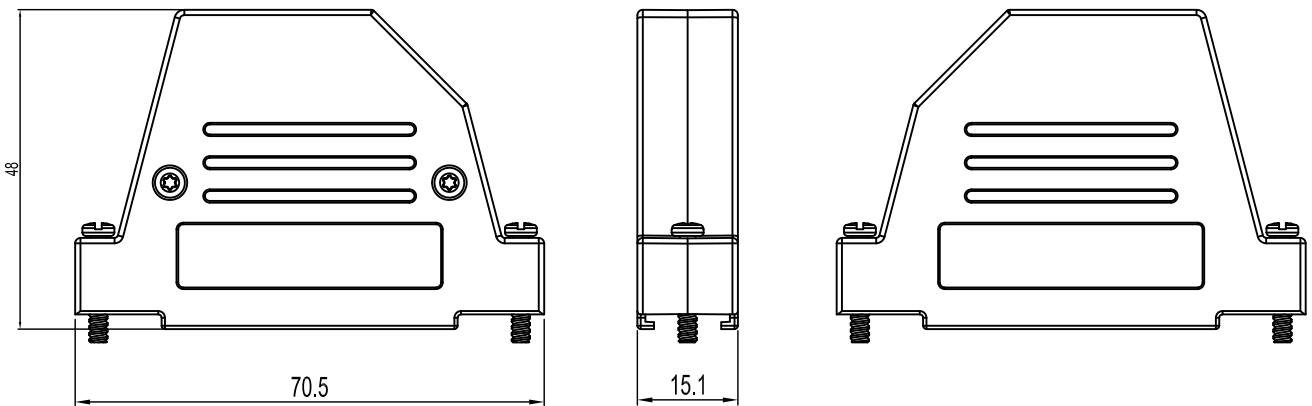


No.	Changes and/or Note No.	Date	Intr	No	Changes and/or Note No.	Date	Intr
-----	-------------------------	------	------	----	-------------------------	------	------

Revision
0



Part Number:	Description:	Pack:	Item	QTY	Part description
6560-0218-34	DTSL37-RG-SJS-S-K	Kit	1	1	D45SL37-Upper Cover
6561-0218-34	DTSL37-RG-SJS-S	Bulk	2	1	D45SL37-Lower Cover
			3	4	M2.5X6 Screw
			4	1	Cable clamp
			5	1	Plastic Insert DTSL15-37-Top & Side Metalised
			6	2	UNC4-40X18 Jackscrew
			7	1	Rubber Grommet

DATE: 2017-03-24	DRAWN: YGY	SCALE:	MATERIAL TYPE:	GENERAL TOLERANCES UNLESS OTHERWISE STATED LINEAR 0 ±0.20 0.0 ±0.15 0.00 ±0.10 ANGULAR ±0°30' ALL DIMENSIONS IN mm FIRST ANGLE PROJECTION
AUDITING:	APPROVED: MRR		REPLACES:	

	DTSL37-RG-SJS-S-Series	
		DRAWING No: 6688-9685