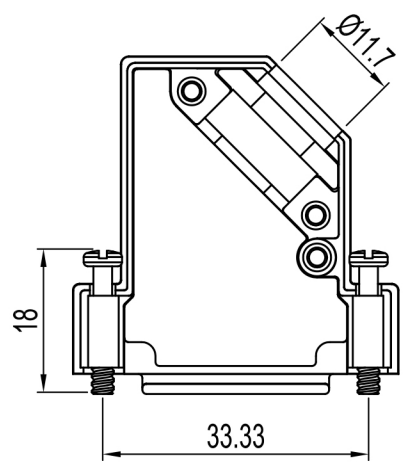
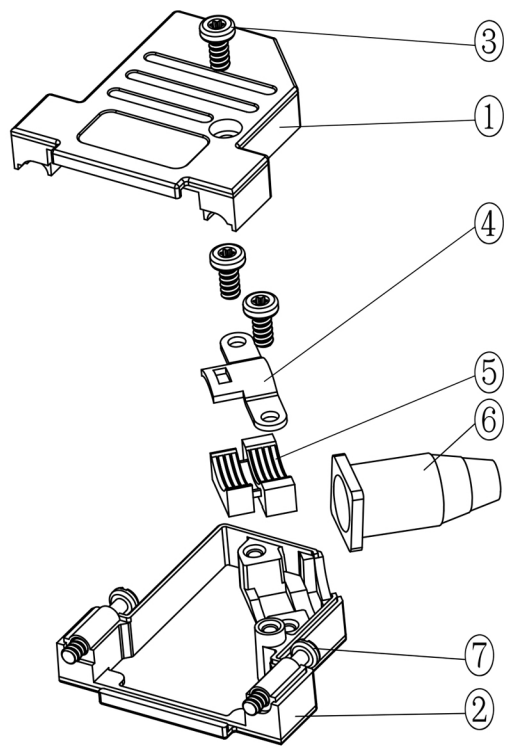
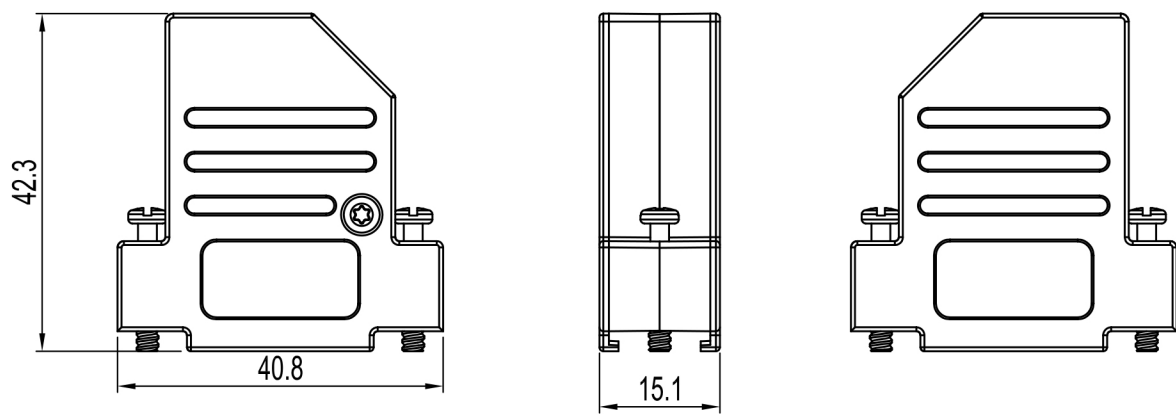


|     |                         |      |      |    |                         |      |      |
|-----|-------------------------|------|------|----|-------------------------|------|------|
| No. | Changes and/or Note No. | Date | Intr | No | Changes and/or Note No. | Date | Intr |
|-----|-------------------------|------|------|----|-------------------------|------|------|

|          |
|----------|
| Revision |
| 0        |



| Part Number: | Description:         | Pack: | Item | QTY | Part description                 |
|--------------|----------------------|-------|------|-----|----------------------------------|
| 6560-5218-32 | DTSL15-RG-SJS-M3-S-K | Kit   | 1    | 1   | D45SL15-Upper Cover              |
|              |                      |       | 2    | 1   | D45SL15-Lower Cover              |
|              |                      |       | 3    | 3   | M2.5X6 Screw                     |
|              |                      |       | 4    | 1   | Cable clamp                      |
| 6561-5218-32 | DTSL15-RG-SJS-M3-S   | Bulk  | 5    | 1   | Plastic Insert DTSL15-Top & Side |
|              |                      |       | 6    | 1   | Rubber Grommet                   |
|              |                      |       | 7    | 2   | M3x18 Jackscrew                  |

|                     |               |           |                |   |
|---------------------|---------------|-----------|----------------|---|
| DATE:<br>2016-06-28 | DRAWN:<br>MRR | SCALE:    | MATERIAL TYPE: | GENERAL TOLERANCES UNLESS OTHERWISE STATED<br>LINEAR 0 ±0.20<br>0.0 ±0.15<br>0.00 ±0.10<br>ANGULAR ±0°30'<br>ALL DIMENSIONS IN mm<br>THIRD ANGLE PROJECTION |
| AUDITING:           | APPROVED:     | REPLACES: |                |   |

|  |                        |  |             |             |
|--|------------------------|--|-------------|-------------|
|  | DTSL15-RG-SJS - Series |  | DRAWING No: | 6688-9650-5 |
|--|------------------------|--|-------------|-------------|