

**SPECIFICATION:**

AWG (Max.):	AWG 18
AWG (Min.):	AWG 24
Operating Voltage (Max.):	600 V
Operating Current (Nom.):	7 A
Operating Temperature:	-25°C to 85°C
Cable Diameter (Max.):	3.1 mm
Contact Resistance (Max.):	10 mΩ
Dielectric Strength:	1,500 Vac



**MATERIAL:**

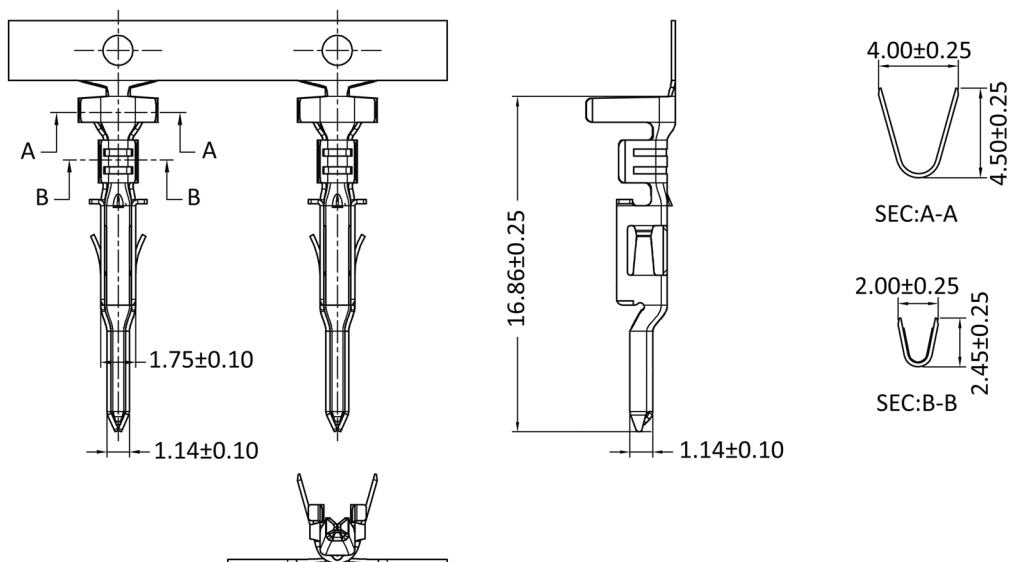
Material (Terminal): brass, tin plated

**HANDLING:**

Packaging: taped

**TOLERANCE:**

.X: ± 0.35  
.XX: ± 0.25



**Order Information**

Identifier:

**CRK22H4**

Packing Unit:

**#**

Terminal for male housing H4 series

**empty:** 100 pcs. separately cut

**R:** roll with 5.000 pieces