

**Board-to-Wire Connectors  
Pitch 2.0 mm Series H2H**

**Crimping Contacts for Housing Series  
H2H**



**RoHS  
COMPLIANT**

**SPECIFICATION:**

Current rating: 1 A  
 Voltage rating: 130 V  
 Contact resistance: 20 mΩ max.  
 Dielectric voltage: 800 V AC  
 Wire range: AWG26-30  
 Insulation outer diameter: 1.4 mm max.  
 Operation temperature: -25 °C to +85 °C

**MATERIAL:**

Contact: Phosphorbronze

**FINISH:**

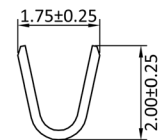
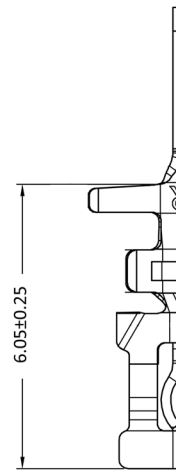
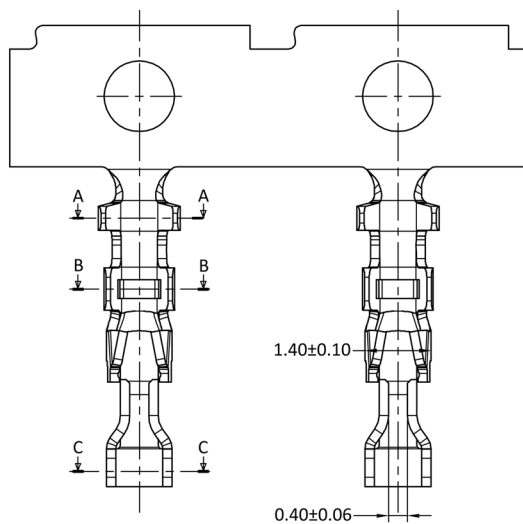
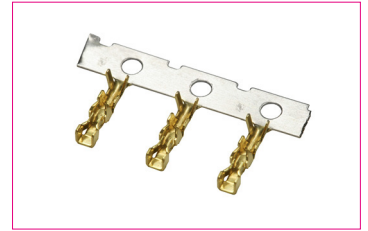
Contact: Gold plated

**HANDLING:**

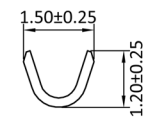
Packing: Reel with 10K, otherwise separately cut

**TOLERANCE:**

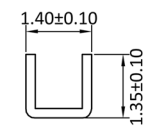
.X  $\pm 0.25$   
 .XX  $\pm 0.15$



SEC: A-A



SEC: B-B



SEC: C-C

**Order-Information**

Identifier:

**CR20K**

Terminal for H2H-Series

Packing unit:

**#**

**empty:** separately, cut

**10:** Reel with 10.000 pcs.