

SPECIFICATION:

AWG (Max.):	AWG 18
AWG (Min.):	AWG 22
Operating Voltage (Max.):	250 V
Operating Current (Nom.):	5 A
Operating Temperature:	-25°C to 85°C
Cable Diameter (Max.):	3 mm
Contact Resistance (Max.):	10 mΩ
Dielectric Strength:	1,500 Vac



MATERIAL:

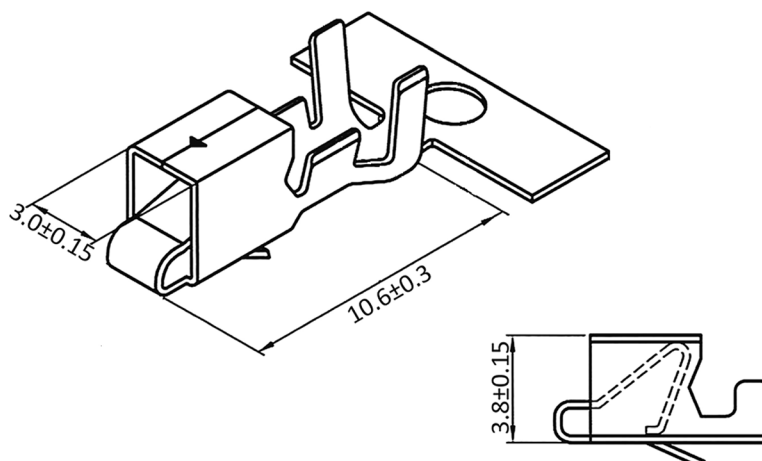
Material (Terminal):	brass, tin plated
Material (Contact Area):	brass, tin plated

HANDLING:

Packaging:	taped
------------	-------

TOLERANCE:

.X:	
.XX:	



Order Information

Identifier:

CVK3

Terminal for CVGx/3 series

Packing Unit:

#

empty: 100 pcs. separately cut
/4,0K: roll with 4.000 pieces