

D-Sub High Density, Crimp

Male Connectors



RoHS
COMPLIANT

SPECIFICATION:

Current rating: 3 A
 Insulation resistance: 1000 MΩ min.
 Contact resistance: 13 mΩ max.
 Dielectric voltage: 500 V AC
 Operation temperature: -55 °C to +105 °C

MATERIAL:

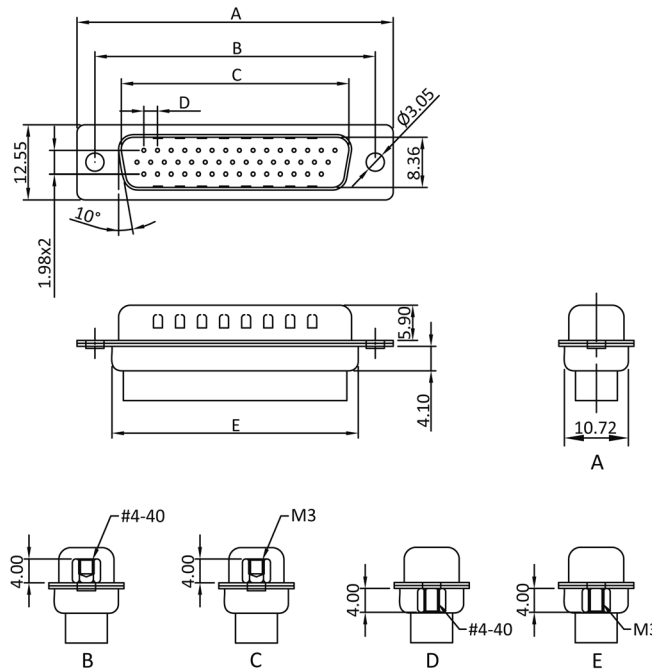
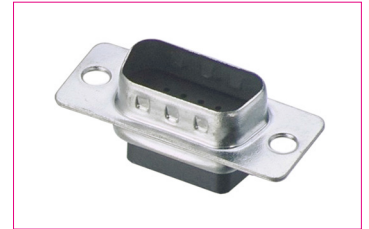
Insulator: PBT black UL94V-0
 Shell: Steel

FINISH:

Shell: Nickel plated

HANDLING:

Processing: Crimping
 Packing: Tray



Dimensions

No. of contacts:	A:	B:	C:	D:	E:
15	30.81	24.99	16.92	2.29	19.20
26	39.14	33.32	25.60	2.29	27.70
44	53.04	47.04	38.96	2.29	41.10
62	69.32	63.50	55.42	2.41	57.30

Order-Information

Identifier:	No. of contacts:	Mounting:
SHDCR	#	#
D-Sub High Density Male Housing	15: 15 pin *	A: w/o Accessories *
	26: 26 pin	B: Front Rivet UNC4-40 H=4.0
	44: 44 pin	C: Front Rivet M3 H=4.0
	62: 62 pin	D: Rear Rivet UNC4-40 H=4.0
		E: Rear Rivet M3 H=4.0

* = standard