

# D-Sub Connectors PCB Mounting angled Euro Standard

## Female Connectors with Threaded Bolt UNC 4/40



### SPECIFICATION:

Operating Current (Nom.): 3 A  
 Operating Temperature: -55°C to 105°C  
 Insulation Resistance (Min.): 1000 MΩ  
 Contact Resistance (Max.): 30 mΩ  
 Dielectric Strength: 500 Vac

### MATERIAL:

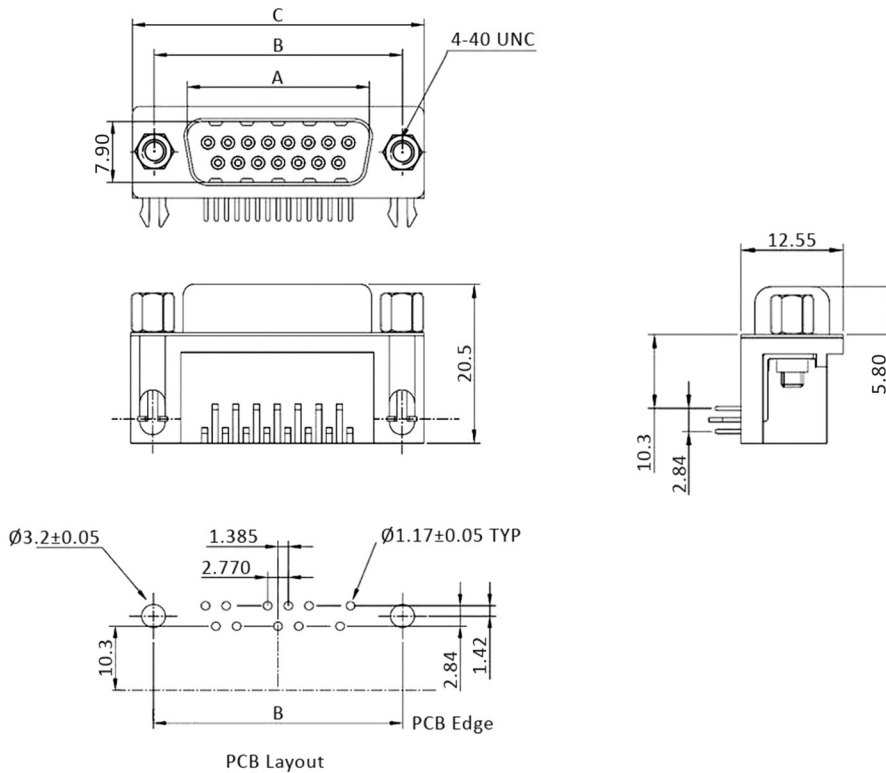
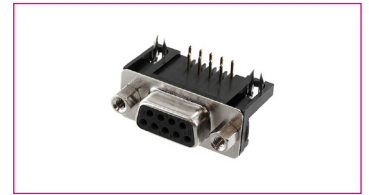
Material (Terminal): copper alloy, gold plated  
 Material (Housing): steel, nickel plated  
 Flammability Class: UL 94 V-0  
 Material (Insulation): PBT  
 Material (Contact Area): copper alloy, gold plated

### HANDLING:

Packaging: tray  
 Processing: wave soldering

### TOLERANCE:

.X: ± 0.30  
 .XX: ± 0.25



### Dimensions

Number of Contacts:	A:	B:	C:
9	16.33	24.99	30.81
15	24.66	33.32	39.14
25	38.38	47.04	53.04

### Order Information

Identifier:	No. of Contacts:	Version:	Special:	Mounting:
<b>BUN</b>	<b>#</b>	<b>WB</b>	<b>9</b>	
D-Sub Female with solder pins	9: 9 poles 15: 15 poles 25: 25 poles	angled	Euro standard	with threaded bolts