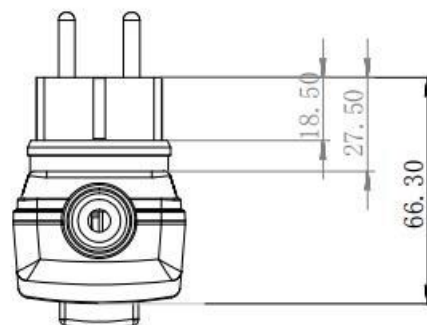
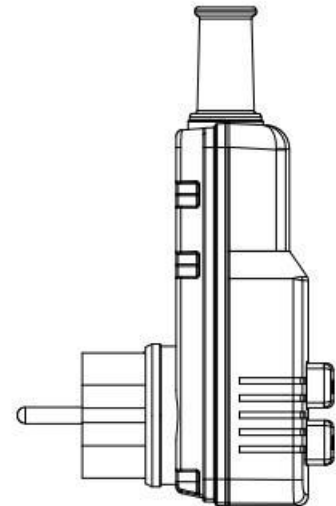
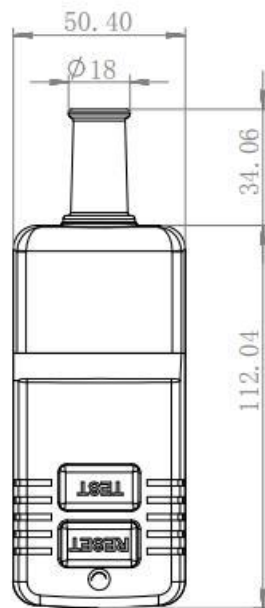
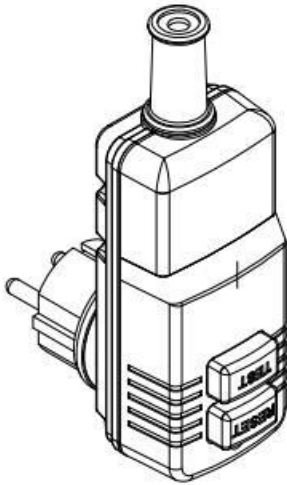


Item no.: 1889535

## Data Sheet

---



Operating voltage .....	220 – 240 V/AC, 50 Hz
Total power rating .....	Max. 3600 W
Rated current .....	16 A
Protection class .....	IP54
Response time .....	<30 ms
Rated residual current .....	10 mA
Residual current protection .....	>10 mA