

Data Sheet

320pcs Crimp receptacle connectors assortment with insulators

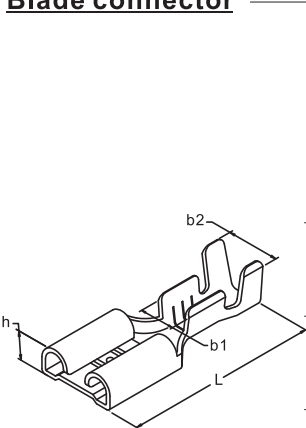
Household appliances use crimp receptacle connectors from 2.8mm to 6.3mm, which are widely available. This practical range consists of the most common blade connectors, soft insulating sleeves and hard plastic protecting boots - ideal for repair and maintenance. The compilation includes the cross sections from 0.5 mm² to 2.5 mm² for fine and superfine conductors. Connection angle 180°. Material: electrolytic copper.

Contents:

- 2.8 x 0.8 tab receptacle, cross section 0.5~1.0mm² x 30pcs
- 2.8 x 0.8 tab receptacle, cross section 1.5~2.5mm² x 30pcs
- 4.8 x 0.8 tab receptacle, cross section 0.5~1.0mm² x 25pcs
- 4.8 x 0.8 tab receptacle, cross section 1.5~2.5mm² x 25pcs
- 6.3 x 0.8 tab receptacle, cross section 0.5~1.5mm² x 18pcs
- 6.3 x 0.8 tab receptacle, cross section 1.5~2.5mm² x 18pcs
- PVC cover for 2.8 mm connector, Red, Blue, Transparent x 25pcs
- PVC cover for 4.8mm connector, Red, Blue, Transparent x 18pcs
- PVC cover for 6.3mm connector, Red, Blue, Transparent x 15pcs

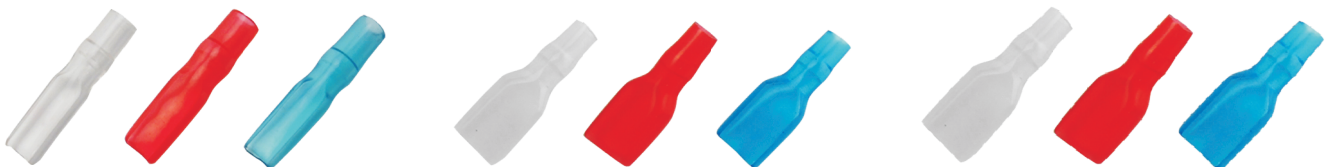


Blade connector



Tab (mm)	Cross section (mm ²)	L (mm)	h (mm)	b1 (mm)	b2 (mm)
2.8 x 0.8	0.5 - 1.0	15.8	2.0	2.3	3.8
	1.5 - 2.5	15.6	2.0	3.0	4.2
4.8 x 0.8	0.5 - 1.0	15.5	2.3	3.2	4.8
	1.5 - 2.5	15.5	2.4	4.3	6.0
6.3 x 0.8	0.5 - 1.0	19.0	2.8	3.5	5.0
	1.5 - 2.5	19.0	2.8	4.5	7.2

PVC insulating sleeve



Suitable for tab(mm)	L (mm)	L1 (mm)	d1 (mm)	d2 (mm)	w (mm)
2.8 x 0.8	23.0 ± 2.0	15.5 ± 1.5	4.0	∅3.0	1.8
4.8 x 0.8	23.0 ± 2.0	15.5 ± 1.5	5.0	∅3.0	2.3
6.3 x 0.8	25.0 ± 2.0	18.0 ± 2.0	8.0	∅3.5	3.5

