



Pacific PR22-D5 Plus

DIY Water Cooling Kit

• Features

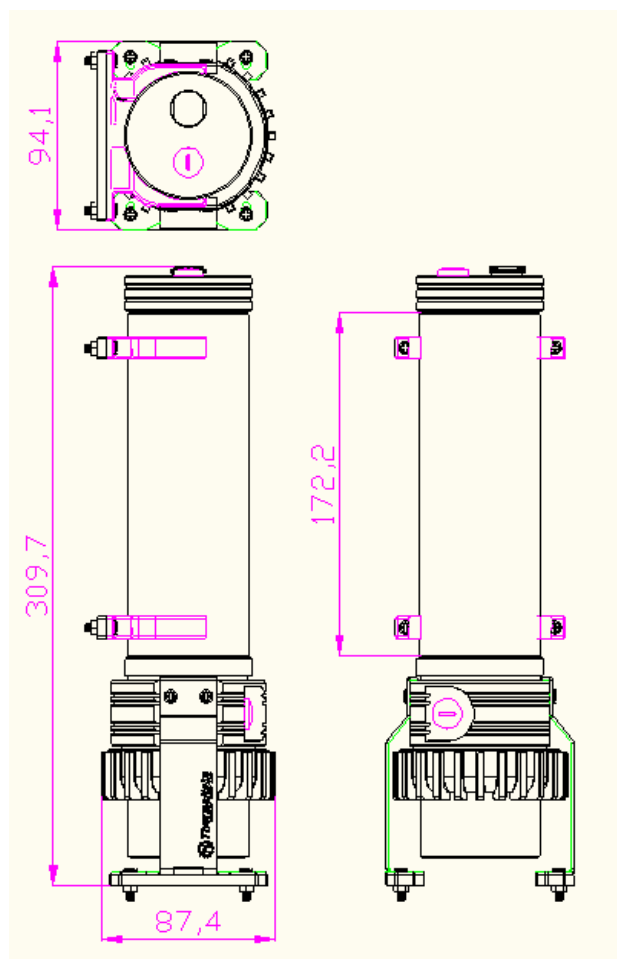
- 12 addressable LEDs ring & Software design
- 16.8 million colors RGB spectrum
- Reservoir and D5 pump combo unit with pump mod kit
- 220 mm long reservoir with 300ml capacity
- High performance pump for high flow system
- Easy installation



Pacific PR22-D5 Plus

DIY Water Cooling Kit

•Dimension



•Specification

P/N	CL-W187-PL00SW-A
Dimension (mm)	94.1 (L) x 87.4 (W) x 309.7 (H)
Material	POM+ PMMA
Capacity	300 ml
Maximum Head	15 feet (4.5m)
Maximum Flow Rate	1135 L/h
Maximum Pressure	50 PSI
Input Voltage	12 V / 5 V
Power Input	37 W / 6.5 W
Connector	4 Pin
Pump Speed	P1: 1,800 RPM P2: 2,550 RPM P3: 3,300 RPM P4: 4,050 RPM P5: 4,800 RPM
Screw Thread	G 1/4
Parts	1. Stopper *1 (G 1/4) 2. Bracket *2 3. Clip *2
Interface	USB 2.0 Connectors(9 Pin)
System Compatibility	Windows 7 / 8 / 8.1 / 10

Thermaltake Liquid Cooling Pacific PR22-D5 Plus

• Angle View



Front View



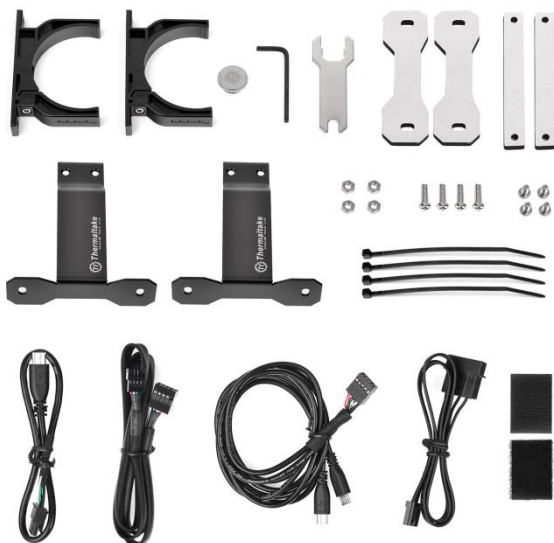
Side View



Controller



Top View



Part



D5 Pump

Thermaltake Liquid Cooling Pacific PR22-D5 Plus

• Detailed Features



Reservoir and pump combo unit

High performance pump achieving
1135 L/hr



PMMA Tank

Reliable, lightweight POM construction



Software Controller

Digitally controlled with
Ring Plus RGB software



Riing RGB software

Digitally controlled with
Riing RGB software



Application View

Easy installation

Thermaltake Liquid Cooling Pacific PR22-D5 Plus

• Detailed Features

:



RGB Spectrum Mode:
A gorgeous and seamless transition through the entire range of 16.8 million RGB colors



Ripple Mode:
RGB Colors ripple out across the fan



Flow Mode:
RGB or Single color flow in a clockwise direction



Pulse Mode:
A slow fade in and fade out of your color choice

Thermaltake Liquid Cooling Pacific PR22-D5 Plus

P/N: CL-W187-PL00SW-A

Pacific PR22-D5 Plus

DIY Water Cooling Kit



Tt **Thermaltake**
COOL ALL YOUR LIFE