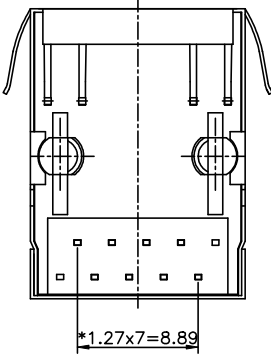
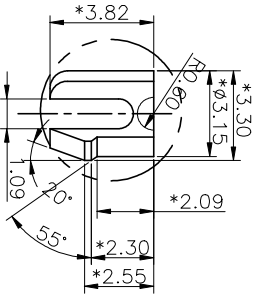
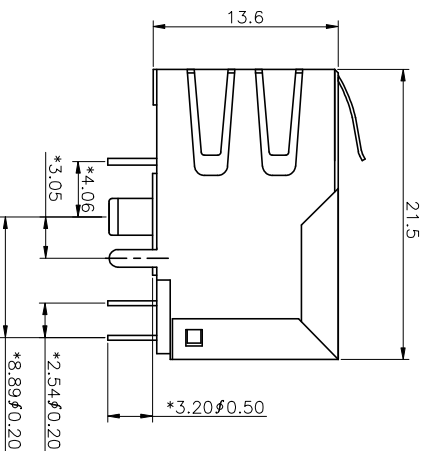
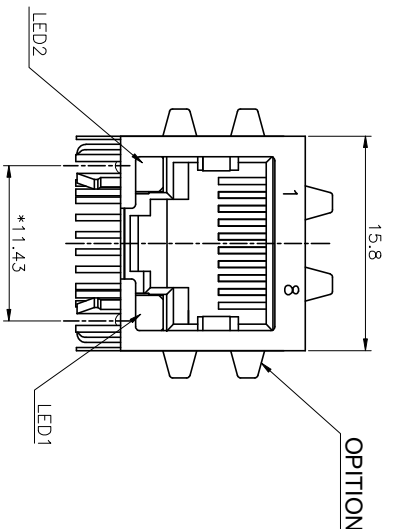
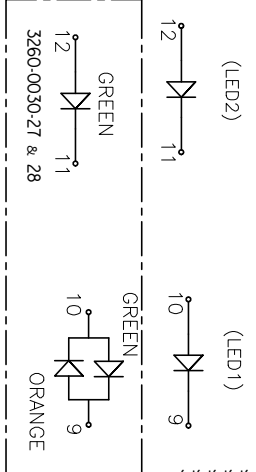


PC BOARD LAYOUT COMPONENT SIDE SHOWN



- NOTES**
- ELECTRICAL:**
1. VOLTAGE RATING : 125 VAC ; 1.5 AMP.
 2. CURRENT RATING : 1.5 AMP.
 3. CONTACT RESISTANCE : 60 MILLIOHMS MAX.
 4. INSULATION RESISTANCE : 1000 MEGOHMS MIN. @ 500 VDC.
 5. DIELECTRIC STRENGTH : 1000 VAC 60HZ 1MIN.
 6. CATEGORY 5E CHARACTERISTIC:

Frequency MHz	Near-End Cross Talk dB, MIN.	Return Loss dB, MIN.	Attenuation dB, MAX.
1.0	65	30	0.1
4.0	65	30	0.1
8.0	64.9	30	0.1
10.0	63	30	0.1
16.0	58.9	30	0.2
20.0	57	30	0.2
25.0	55	30	0.2
31.25	53.1	30	0.2
62.5	47.1	24.1	0.3
100.0	43	20	0.4



- ORDERING INFORMATION:**
- | PART NUMBER | PRODUCT CODE | CONFIGURATION |
|--------------|---------------------|--|
| 3260-0030-16 | RJJS-881401E-JH-063 | LED2: GREEN LED1: ORANGE WITH EMI TABS |
| 3260-0030-17 | RJJS-881402E-JH-063 | LED2: GREEN LED1: ORANGE WITHOUT EMI TABS |
| 3260-0030-20 | RJJS-881405E-JH-063 | LED2: GREEN LED1: YELLOW WITH EMI TABS |
| 3260-0030-21 | RJJS-881405E-JH-063 | LED2: GREEN LED1: YELLOW WITHOUT EMI TABS |
| 3260-0030-24 | RJJS-881409E-JH-063 | LED2: GREEN LED1: GREEN WITH EMI TABS |
| 3260-0030-25 | RJJS-881410E-JH-063 | LED2: YELLOW LED1: GREEN WITHOUT EMI TABS |
| 3260-0030-26 | RJJS-881411E-JH-063 | LED2: YELLOW LED1: GREEN WITH EMI TABS |
| 3260-0030-27 | RJJS-881412E-JH-063 | LED2: GREEN LED1: G-0 WITH EMI TABS |
| 3260-0030-28 | RJJS-881413E-JH-063 | LED2: GREEN LED1: G-0 WITHOUT EMI TABS |
| 3260-0030-29 | RJJS-881414E-JH-063 | LED2: YELLOW LED1: GREEN TOP EMI TABS ONLY |
| 3260-0030-30 | RJJS-881415E-JH-063 | LED2: G-Y LED1: GREEN WITH EMI TABS |

MECHANICAL:

1. SHIELD : t=0.25mm BRASS C2680 H, PLATED 30u"~50u" NICKEL.
2. HOUSING : HIGH TEMP UL 94V-0.
3. PCB : FR-4, 0.5mm THICKNESS.
4. LED : TRANSPARENT PLASTIC & SILVER COLOR METAL WITH Sn 100%.
5. CONTACT : PHOSPHOR BRONZE t=0.35mm, 50U SELECTIVE GOLD PLATING OVER 50u" NICKEL.
6. OPERATING LIFE : 750 CYCLES MIN.

ENVIRONMENTAL:

1. STORAGE : -40C TO +85C.
 2. OPERATION : -40C TO +85C.
- MATES WITH MODULAR PLUG CONFORMING TO TIA-1096-A

MARK	ECN-NO.	REVISION RECORD	DRAWN	DATE
△ X1	07069600	ADD NEW P./N.	DORS	062014
△ X0	07069600	REV.'9' TO REV.'A'	KARL	041813
△ X0	07069600	NEW DESIGN	Kevin	091207

Dimension Symbol	Tolerance	SCALE	CHECKED
X.X	±0.20 UNIT	1:1	APPROVED
X.XX	±0.15	mm	
X.XXX	±0.10	mm	
ANGLE	±5°	A3	SHEET

SEE NOTE

TOUCH NO.	PART NO.	REV.
	SEE NOTE	B