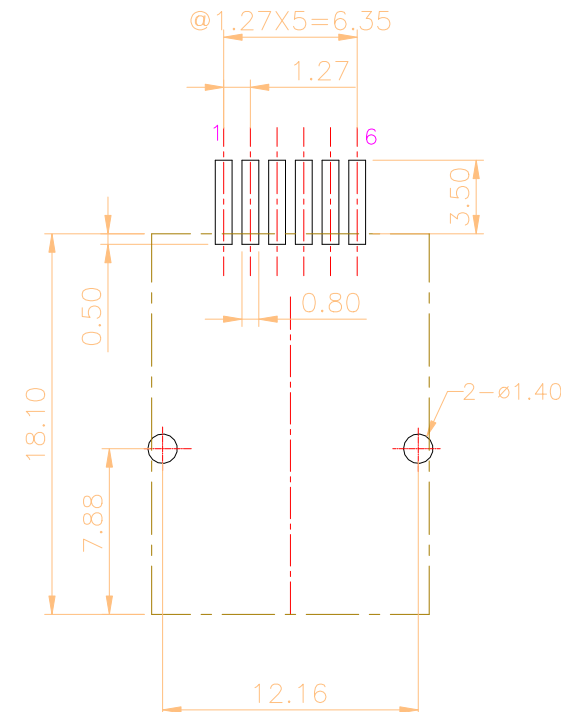
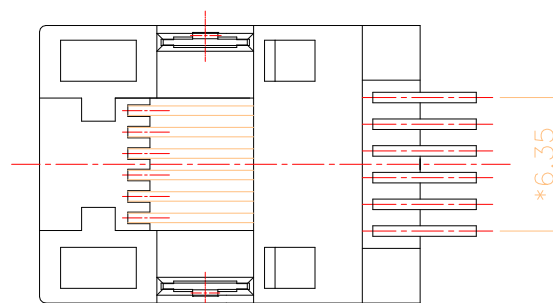
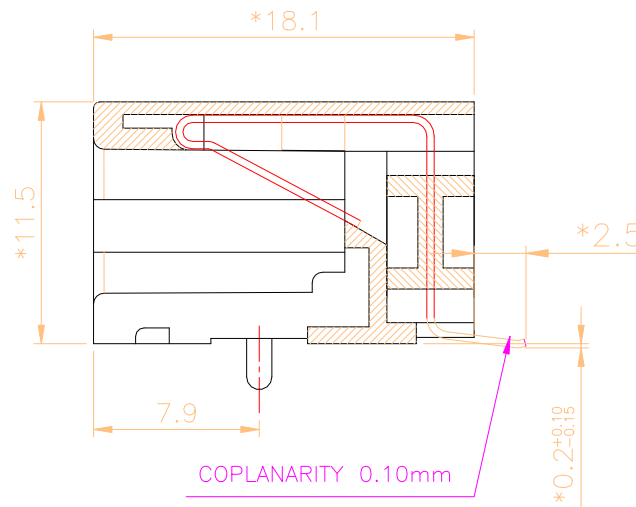
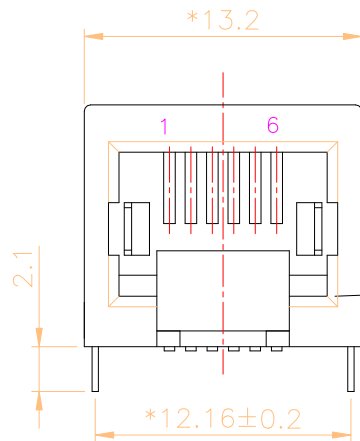


RoHS

THIS IS A RoHS COMPLIANT COMPONENT/PRODUCT.



PC BOARD LAYOUT COMPONENT SIDE SHOWN

NOTES:

ELECTRICAL:

- 1. VOLTAGE RATING : 125 VAC RMS.
- 2. CURRENT RATING : 1.5 AMP.
- 3. CONTACT RESISTANCE : 35 MILLIOHMS MAX.
- 4. INSULATION RESISTANCE : 1000 MEGAOHMS MIN. @ 500 VDC.
- 5. DIELECTRIC STRENGTH : 1000 VAC RMS 60HZ, 1 MIN.

MECHANICAL:

- 1. HOUSING MATERIAL : HIGH TEMP. UL94V-0 BK.
- 2. CONTACT MATERIAL : PHOSPHOR BRONZE T=0.35MM.
- 3. PLATING : GOLD PLATING OVER NICKEL.
- 4. OPERATING LIFE : 750 CYCLES MIN.
- 5. PCB RETENTION POST SOLDER: 10 LBS MIN.

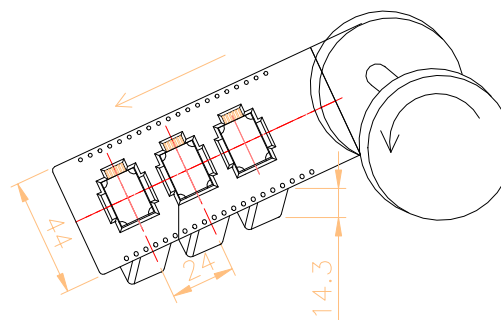
ENVIRONMENTAL:

- 1. STORAGE : -40°C TO +85°C.
- 2. OPERATION : 0°C TO +70°C.

MATES WITH MODULAR PLUG CONFORMING TO FCC PART 68, SUBPART F.

ORDERING INFORMATION:

PART NUMBER	PRODUCT CODE	CONFIGURATION
3253-0008-01	RJJU-66-I2I-E3H-004	6U" GOLD PLATING, 6P6C
3253-0008-02	RJJU-66-I4I-E3H-004	30U" GOLD PLATING, 6P6C
3253-0008-03	RJJU-64-I22-E3H-004	6U" GOLD PLATING, 6P4C
3253-0008-04	RJJU-64-I42-E3H-004	30U" GOLD PLATING, 6P4C



ADD PART NO.(3)	SAIL	113007		
NEW DESIGN	LINGER	102706		
MARK	ECN-NO.	REVISION RECORD	DRAWN	DATE
UNLESS OTHERWISE SPECIFIED TOLERANCE		SCALE	CHECKED	
Dimension Range   Tolerance		2.5/1	eva	
X.X	±0.20	UNIT	APPROVED	
X.XX	±0.15	mm	peter	
X.XXX	±0.10	SIZE	A3	SHEET 1/1
ANGLE	±5°			
Material/Plated/Notes		NAME		
SEE NOTE		SIDE ENTRY SMT JACK 6P PEG DIP		
PART NO.		SEE NOTE		REV.
DOC. NO.				B

UL US UL RECOGNIZED - FILE #E465899