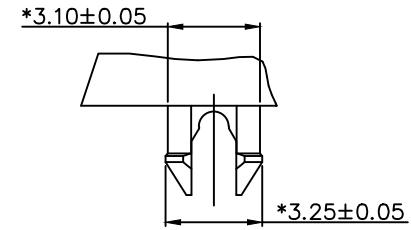
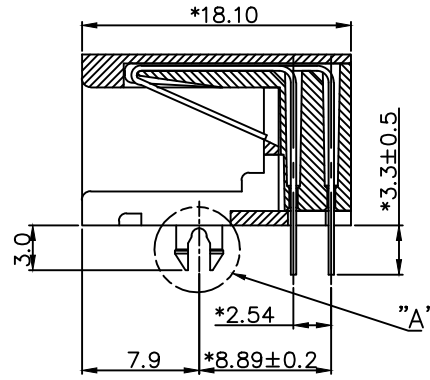
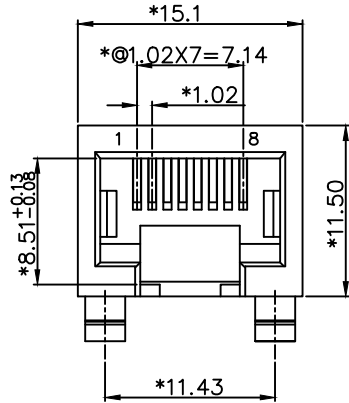


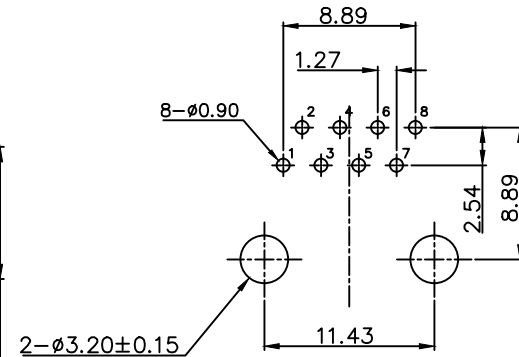
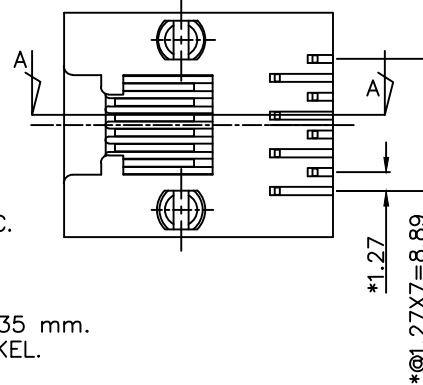
RoHS

THIS IS A RoHS COMPLIANT COMPONENT/PRODUCT.



DETAIL "A"
SCALE 2:1

SECTION A-A



PC BOARD LAYOUT
COMPONENT SIDE SHOWN

NOTES:

ELECTRICAL:

- 1. VOLTAGE RATING : 125 VAC.
- 2. CURRENT RATING : 1.5 AMP.
- 3. CONTACT RESISTANCE : 35 MILLIOHMS MAX.
- 4. INSULATION RESISTANCE : 1000 MEGOHMS MIN. @ 500 VDC.
- 5. DIELECTRIC STRENGTH : 1000 VAC 60Hz, 1MIN.

MECHANICAL:

- 1. HOUSING MATERIAL : HIGH TEMP. UL94V-0.
- 2. CONTACT MATERIAL : PHOSPHOR BRONZE t=0.35 mm.
- 3. PLATING : GOLD PLATING OVER NICKEL.
- 4. OPERATING LIFE : 750 CYCLES MIN.
- 5. PCB RETENTION PRE-SOLDER : 1 LB MIN.
- 6. PCB RETENTION POST-SOLDER : 10 LBS MIN.

ENVIRONMENTAL:

- 1. STORAGE : -40°C TO +85°C.
 - 2. OPERATION : -40°C TO +85°C.
- ΔMATES WITH MODULAR PLUG CONFORMING TO TIA-1096-A.

ORDERING INFORMATION:

PART NUMBER	PRODUCT CODE	CONFIGURATION
3253-0025-01	RJJU-88-I22-E3H-033	6U" GOLD PLATING
3253-0025-02	RJJU-88-I42-E3H-033	30U" GOLD PLATING

UL RECOGNIZED - FILE #E465899

ΔX2		DRAWING MODIFY	DORIS	121415'
ΔX2		DRAWING MODIFY	YANG	021209
ΔX0	000000	NEW DESIGN	YANG	061008
MARK	ECN-NO.	REVISION RECORD	DRAWN	DATE

	UNLESS OTHERWISE SPECIFIED TOLERANCE		SCALE	CHECKED
	Dimension Range	Tolerance	3/1	
	X.X	±0.20	UNIT	APPROVED
	X.XX	±0.15	mm	
X.XXX	±0.10	SIZE	A3	
	ANGLE	±1°		
Material/Plated/Notes	NAME			
SEE NOTE	11.5 SIDE ENTRY 10P8C DIP TYPE			
Tooling No.	PART NO.	SEE NOTE	REV.	
	DOC. NO.		2	