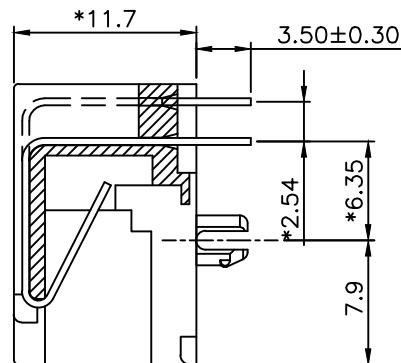
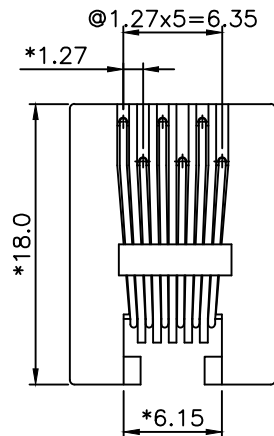
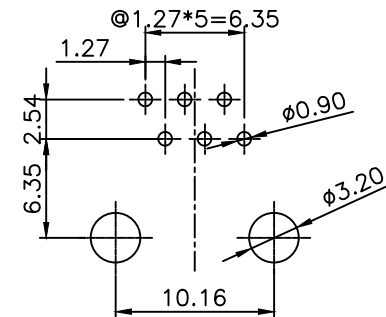
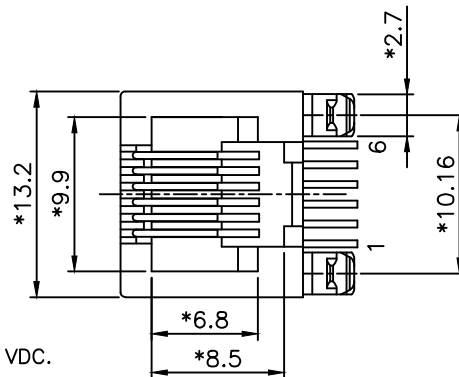
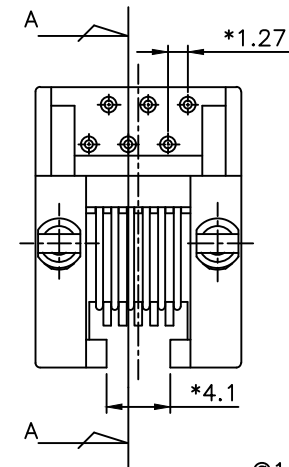




THIS IS A RoHS COMPLIANT COMPONENT/PRODUCT.



SECTION A-A



PC Board Layout  
Component Side Shown

NOTES:

ELECTRICAL:

1. VOLTAGE RATING : 125 VAC
2. CURRENT RATING : 1.5 AMP.
3. CONTACT RESISTANCE : 30 MILLIOHMS MAX.
4. INSULATION RESISTANCE: 1000 MEGOHMS MIN. @ 1000 VDC.
5. DIELECTRIC STRENGTH : 1000 VAC 60Hz, 1MIN.

MECHANICAL:

1. HOUSING MATERIAL : HIGH TEMP. UL94V-0.
2. CONTACT MATERIAL : PHOSPHOR BRONZE  $\phi 0.46\text{mm}$ .
3. PLATING : GOLD PLATING OVER NICKEL.
4. OPERATING LIFE : 750 CYCLES MIN.
5. PCB RETENTION PRE-SOLDER : 1 LB MIN.
6. PCB RETENTION POST-SOLDER: 10 LBS MIN.

ENVIRONMENTAL:

1. STORAGE :  $-40^{\circ}\text{C}$  TO  $+85^{\circ}\text{C}$ .
2. OPERATION:  $-40^{\circ}\text{C}$  TO  $+85^{\circ}\text{C}$ .

MATES WITH MODULAR PLUG CONFORMING TO TIA-1096-A.

ORDERING INFORMATION

PART NUMBER	PRODUCT CODE	CONFIGURATION
3253-0002-01	RJJU-64-123-E3H-011	6U" GOLD PLATING, 6P4C
3253-0002-02	RJJU-64-143-E3H-011	30U" GOLD PLATING, 6P4C
3253-0002-03	RJJU-66-125-E3H-011	6U" GOLD PLATING, 6P6C
3253-0002-04	RJJU-66-145-E3H-011	30U" GOLD PLATING, 6P6C

UL RECOGNIZED - FILE #E465899

$\triangle$ X1		ADD NEW P/N	DORIS	081013
$\triangle$ X1		ADD NEW P/N	DORIS	120512
$\triangle$ X2		ADD PART NO.	ROCK	071612
$\triangle$ X1		ADD PART NO.(3)	YANG	031409
$\triangle$ X1		MODIFY DESIGN	YANG	122908
$\triangle$ X1		ADD PART NO.(3)	SAIL	121207
$\triangle$ X0	0009000	NEW DESIGN	LINGER	041307

MARK	ECN-NO.	REVISION RECORD	DRAWN	DATE
		UNLESS OTHERWISE SPECIFIED TOLERANCE	SCALE	CHECKED
		Dimension Range Tolerance	1/1	
		X.X ±0.20 UNIT	mm	APPROVED
		X.XX ±0.15		
		X.XXX ±0.10	SIZE	A3
		ANGLE ±5°		SHEET 1/1
Material/Plated/Notes		NAME		
		90° VERY L/P SIDE ENTRY 6P		
Tooling No.		PART NO. SEE NOTE	REV. G	
		DOC. NO.		