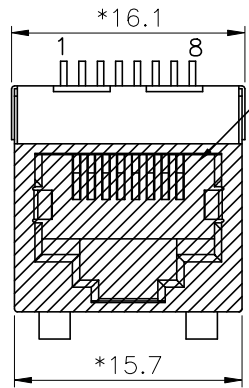


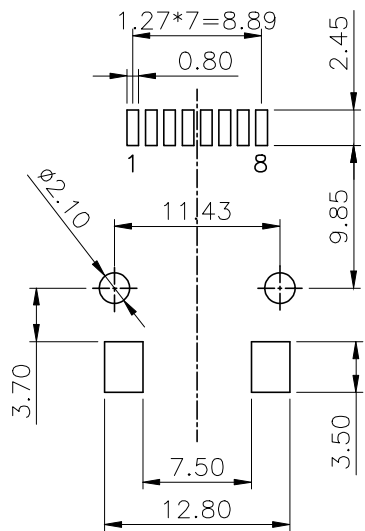
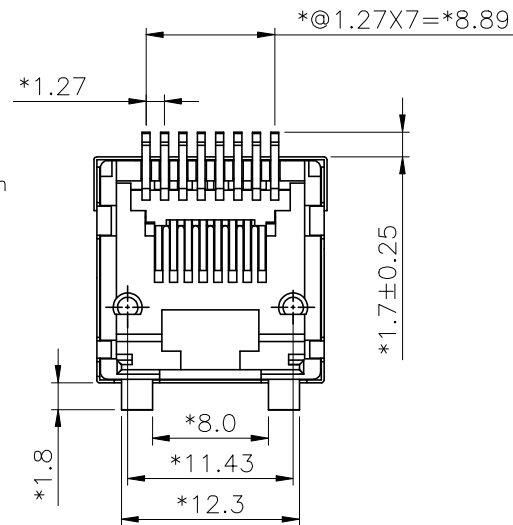
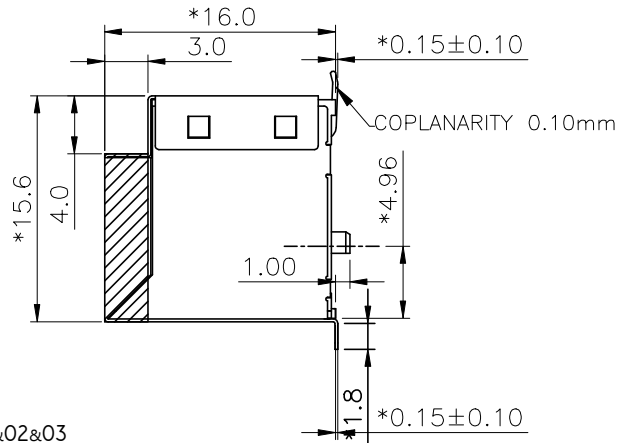
RoHS

THIS IS A RoHS COMPLIANT COMPONENT/PRODUCT.

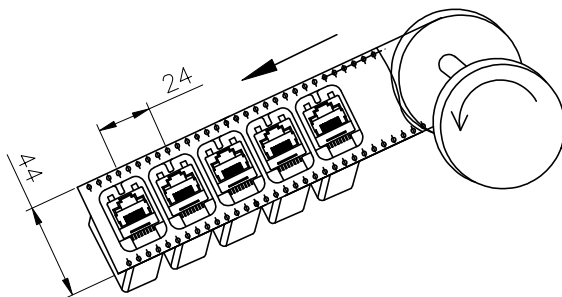


MYLAR

3251-0022-01&02&03
3251-0022-05&06&07



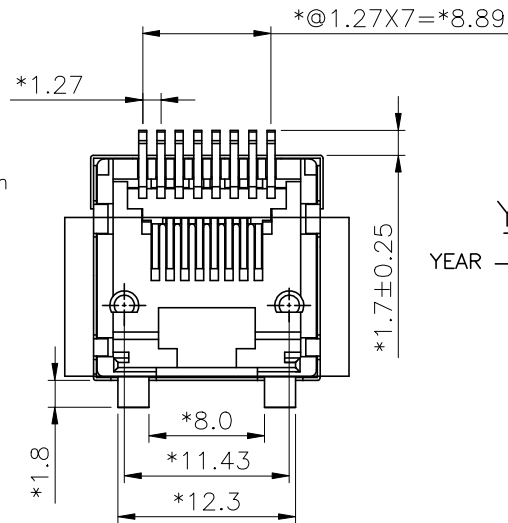
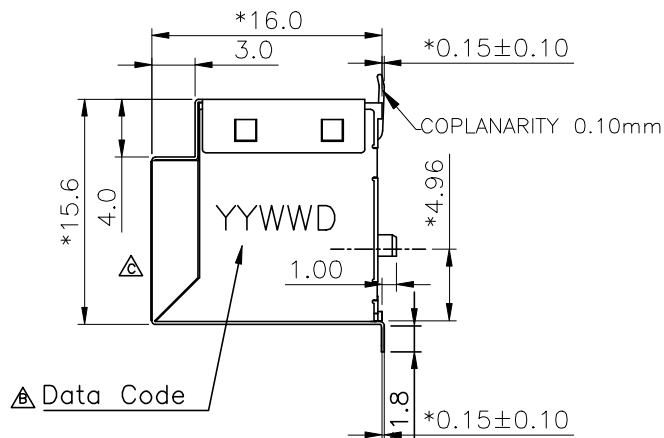
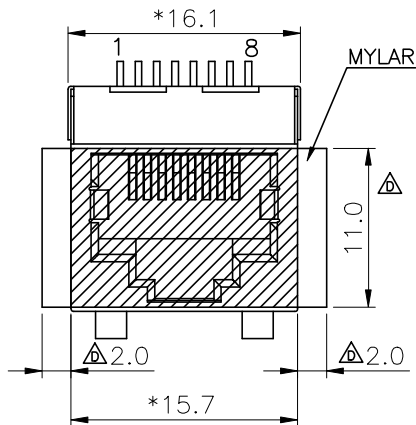
PCB LAYOUT
COMPONENT SIDE SHOWN



△ X5		MODIFY DRAWING	ROCK	081712'
△ X1		MODIFY DRAWING	ROCK	070912'
△ X2		ADD P/N	ROCK	051712'
△ X0	0009900	NEW DESIGN	INGER	080307
MARK	ECN-NO.	REVISION RECORD	DRAWN	DATE
		UNLESS OTHERWISE SPECIFIED TOLERANCE	SCALE	CHECKED
		Dimension Range Tolerance	UNLESS OTHERWISE SPECIFIED	APPROVED
		X.X ±0.20	1:25 / 1 mm	
		X.XX ±0.15		
		X.XXX ±0.10	SIZE	A3
		ANGLE ±5°		
Material/Plated/Notes		NAME		1/2
SEE NOTE		TOP ENTRY 8P SMT STP		
Tooling No.		PART NO.	SEE NOTE	REV.
		DOC. NO.		D

RoHS

THIS IS A RoHS COMPLIANT COMPONENT/PRODUCT.



YYWWD
 YEAR WEEK DAY
 1-SUN
 2-MON
 3-TUS
 4-WEN
 5-THUR
 6-FRI
 7-SAT

△ 325I-0022-04&08

NOTES:

ELECTRICAL:

- 1. VOLTAGE RATING : 125 VAC.
- 2. CURRENT RATING : 1.5 AMP.
- 3. CONTACT RESISTANCE : 35 MILLIOHMS MAX.
- 4. INSULATION RESISTANCE : 1000 MEGOHMS MIN. @ 500 VDC.
- 5. DIELECTRIC STRENGTH : 1000 VAC 60Hz, 1MIN.

MECHANICAL:

- 1. HOUSING MATERIAL : HIGH TEMP. UL94V-0 BK.
- 2. CONTACT MATERIAL : PHOSPHOR BRONZE t=0.35mm.
- 3. PLATING : GOLD PLATING OVER NICKEL.
- 4. OPERATING LIFE : 750 CYCLES MIN.
- 5. PCB RETENTION POST-SOLDER : 10 LBS MIN.

ENVIRONMENTAL:

- 1. STORAGE : -40°C TO +85°C.
- 2. OPERATION : -40°C TO +85°C.

MATES WITH MODULAR PLUG CONFORMING TO FCC PART 68, SUBPART F.

ORDERING INFORMATION:

PART NUMBER	PRODUCT CODE	CONFIGURATION
325I-0022-01	RJJS-88-12I-EIV-039	6U" GOLD PLATING, WITH POST, WITHOUT MYLAR TAPE
325I-0022-02	RJJS-88-122-EIV-039	6U" GOLD PLATING, WITH POST, WITH MYLAR TAPE
325I-0022-03	RJJS-88-123-EIV-039	6U" GOLD PLATING, WITHOUT POST, WITHOUT MYLAR TAPE
325I-0022-04	RJJS-88-124-EIV-039	6U" GOLD PLATING, WITH POST, WITH MYLAR TAPE, WITH DC
325I-0022-05	RJJS-88-14I-EIV-039	30U" GOLD PLATING, WITH POST, WITHOUT MYLAR TAPE
325I-0022-06	RJJS-88-142-EIV-039	30U" GOLD PLATING, WITH POST, WITH MYLAR TAPE
325I-0022-07	RJJS-88-143-EIV-039	30U" GOLD PLATING, WITHOUT POST, WITHOUT MYLAR TAPE
325I-0022-08	RJJS-88-144-EIV-039	30U" GOLD PLATING, WITH POST, WITH MYLAR TAPE, WITH DC

C UL RECOGNIZED - FILE #E465899

△ X5		MODIFY DRAWING	ROCK	081712'
△ X1		MODIFY DRAWING	ROCK	070912'
△ X2		ADD P/N	ROCK	051712'
△ X0	0009000	NEW DESIGN	LINGER	080307

MARK	ECN-NO.	REVISION RECORD	DRAWN	DATE
		UNLESS OTHERWISE SPECIFIED TOLERANCE	SCALE	CHECKED
		Dimension Range Tolerance	1.25/1	
		X.X ±0.20	UNIT	APPROVED
		X.XX ±0.15	mm	
		X.XXX ±0.10	SIZE	
		ANGLE ±5°	A3	SHEET 2/2
Material/Plated/Notes		NAME		
SEE NOTE		TOP ENTRY 8P SMT STP		
Tooling No.		PART NO.	SEE NOTE	REV. D
		DOC. NO.		