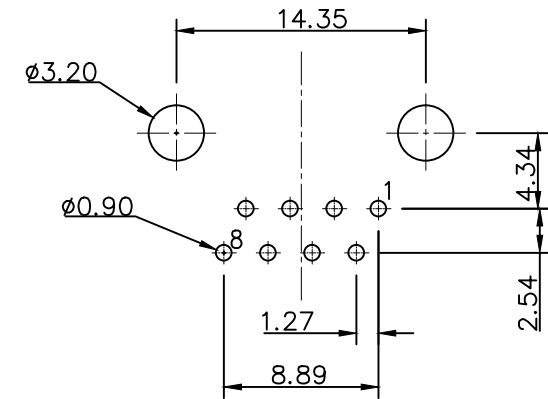
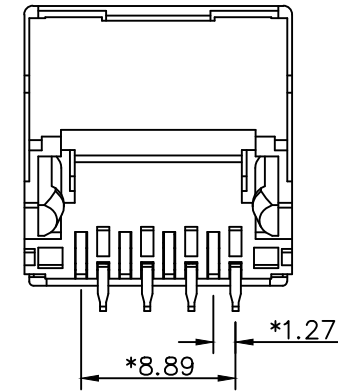
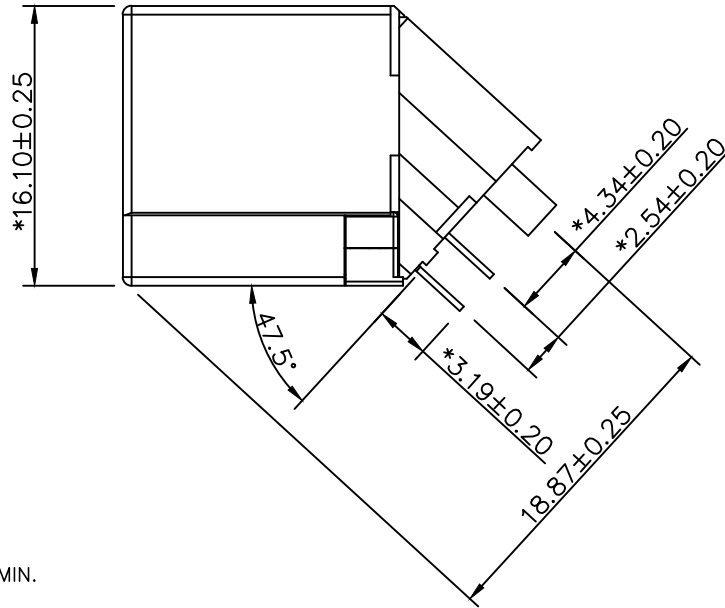
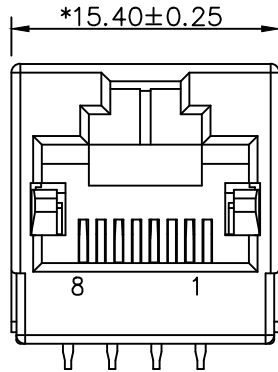


RoHS

THIS IS A RoHS COMPLIANT COMPONENT/PRODUCT.



NOTES:

ELECTRICAL:

- 1. VOLTAGE RATING : 125 VAC.
- 2. CURRENT RATING : 1.5 AMP.
- 3. CONTACT RESISTANCE : 35 MILLIOHMS MAX.
- 4. INSULATION RESISTANCE : 1000 MEGOHMS @ 500 VDC. MIN.
- 5. DIELECTRIC STRENGTH : 1000 VAC 60Hz, 1MIN.

MECHANICAL:

- 1. HOUSING MATERIAL : HIGH TEMP. UL94V-0.
- 2. CONTACT MATERIAL : PHOSPHOR BRONZE T=0.35mm.
- 3. PLATING : SELECTIVE GOLD PLATING OVER NICKEL.
- 4. OPERATING LIFE : 750 CYCLES MIN.
- 5. PCB RETENTION PRE-SOLDER : 1 LB MIN.
- 6. PCB RETENTION POST-SOLDER : 10 LBS MIN.

ENVIRONMENTAL:

- 1. STORAGE : -40°C TO +85°C
- 2. OPERATION : -40°C TO +85°C.

MATES WITH MODULAR PLUG CONFORMING TO FCC PART 68, SUBPART F.

△ CATEGORY 6 CHARACTERISTIC:

PC Board Layout t=1.6mm
Component Side Show

ORDERING INFORMATION:

PART NUMBER	PRODUCT CODE	CONFIGURATION
3257-0004-01	RJJU-88-I22-E7A-025	6U" GOLD PLATING
3257-0004-02	RJJU-88-I42-E7A-025	30U" GOLD PLATING

Frequency	Near-End Cross Talk dB, MIN.	Return Loss dB, MIN.	Attenuation dB, MAX.
1.0 MHZ	75.0	35.5	0.1
4.0 MHZ	75.0	35.5	0.1
10.0 MHZ	74.0	35.5	0.1
16.0 MHZ	69.9	35.5	0.1
25.0 MHZ	66.0	35.5	0.1
31.25 MHZ	64.1	34.1	0.1
62.5 MHZ	58.1	28.1	0.1
100.0 MHZ	54.0	24.0	0.2
200.0 MHZ	48.0	18.0	0.3
250.0 MHZ	46.0	16.0	0.3

MARK	000000	NEW DESIGN	YANG	040909
ECN-NO.		REVISION RECORD	DRAWN	DATE
		UNLESS OTHERWISE SPECIFIED TOLERANCE	SCALE 1.25/1	CHECKED eva
		Dimension Range Tolerance	UNIT mm	APPROVED peter
Material/Plated/Notes		NAME	SIZE A3	SHEET 1/1
SEE NOTE		CAT.6 MODULAR JACK 47.5° UTP		
Tooling No.		PART NO. SEE NOTE	REV. 0	
		DOC. NO.		

UL RECOGNIZED - FILE #E465899