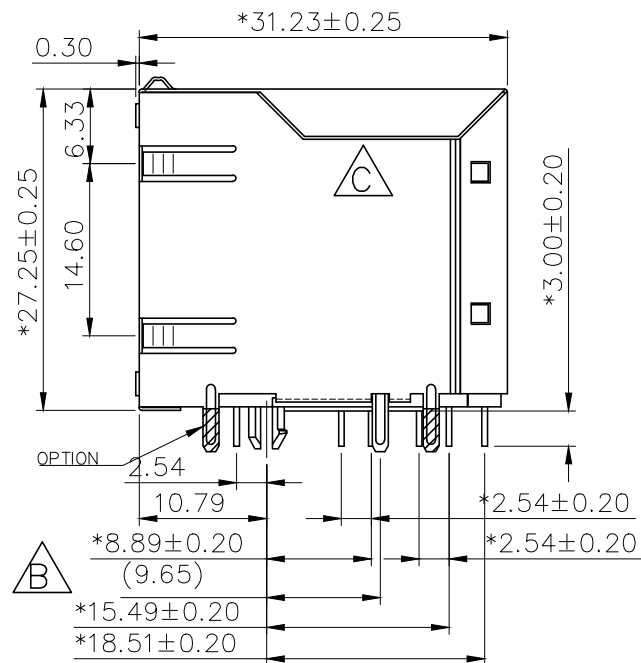
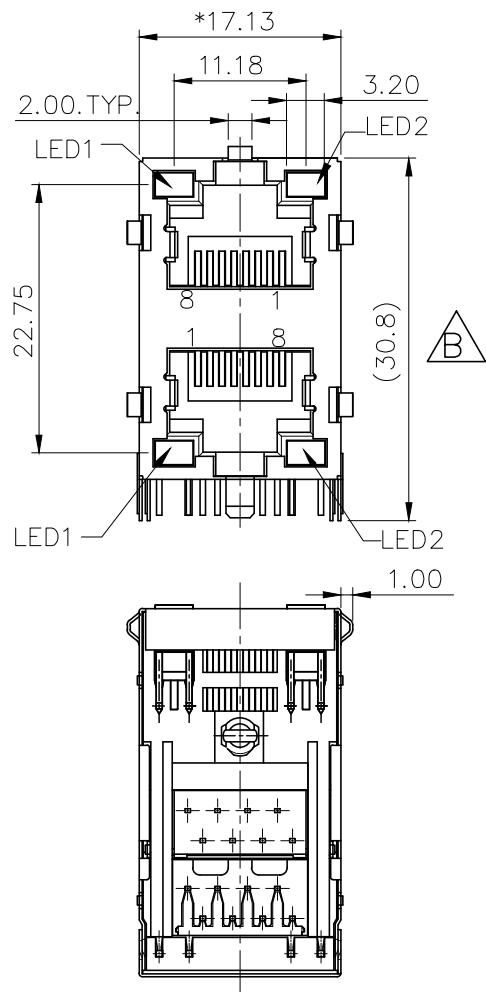




THIS IS A RoHS COMPLIANT COMPONENT/PRODUCT.



△ X1		ADD PART NO.	ROCK	042512'
△ X1		UPDATE P/N	DORIS	082011'
△ X1		ADD NEW P/N(3)	YANG	010710
△ X1		ADD NEW P/N(3)	YANG	072009
△ X1		ADD NEW P/N(3)	YANG	031909
△ X1		UPDATE DRAWING(1)	BOB	121208
△ X2		UPDATE DRAWING(1)	BOB	101308
△ XO	0009000	NEW DESIGN	LINGER	080106
MARK	ECN-NO.	REVISION RECORD	DRAWN	DATE

	UNLESS OTHERWISE SPECIFIED TOLERANCE		SCALE	CHECKED
	Dimension Range	Tolerance	1/1	APPROVED
	X.X	±0.20	UNIT	mm
	X.XX	±0.15	SIZE	A3
X.XXX	±0.10	ANGLE	±5°	SHEET 2/2
Material/Plated/Notes		NAME		
SEE NOTE		2X1 RJ45 LED JACK		
Tooling No.		PART NO.	SEE NOTE	REV.
		DOC. NO.		H

RoHS THIS IS A RoHS COMPLIANT COMPONENT/ PRODUCT.

NOTES:

ELECTRICAL:

- 1. VOLTAGE RATING : 125 VAC.
- 2. CURRENT RATING : 1.5 AMP.
- 3. CONTACT RESISTANCE : 50 MILLIOHMS MAX.
- 4. INSULATION RESISTANCE: 1000 MEGOHMS MIN. @ 500 VDC.
- 5. DIELECTRIC STRENGTH : 1000 VAC 60Hz, 1MIN.

MECHANICAL:

- 1. HOUSING MATERIAL : HIGH TEMP. UL94V-0.
- 2. CONTACT MATERIAL : PHOSPHOR BRONZE t=0.35mm
- 3. PLATING : 1: CONTACT AREA SELECTIVE GOLD PLATING.
2: TAILS TIN PLATING OVER NICKEL.
GOLD PLATING OVER NICKEL.
- 4. OPERATING LIFE : 750 CYCLES MIN.
- 5. PCB RETENTION PRE-SOLDER : 1 LB MIN.
- 6. PCB RETENTION POST-SOLDER: 10 LBS MIN.
- 7. LED SIZE : 3.2*2.0*4.0, P=2.54mm

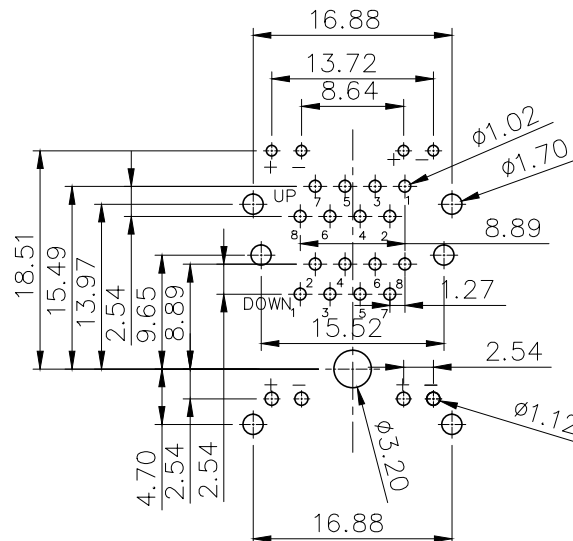
ENVIRONMENTAL:

- 1. STORAGE : -40°C TO +85°C.
- 2. OPERATION: -40°C TO +85°C.

MATES WITH MODULAR PLUG CONFORMING TO FCC PART 68 SUBPART F

ORDERING INFORMATION:

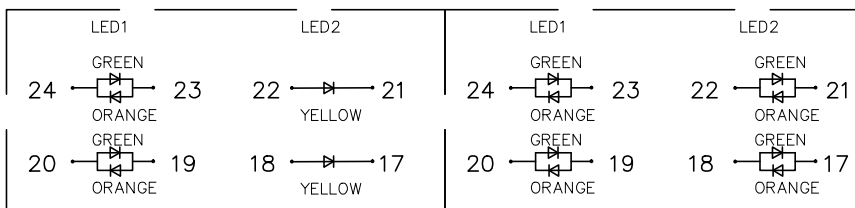
PART NUMBER	PRODUCT CODE	CONFIGURATION
3260-0017-03	RJJS-88-A203-EJH-016	6U" GOLD PLATING. LED1: GREEN. LED2: GREEN. WITH EMI TAB. TAB WITHOUT TIN PLATING
3260-0017-04	RJJS-88-A204-EJH-016	6U" GOLD PLATING. LED1: GREEN. LED2: YELLOW. WITH EMI TAB. TAB WITHOUT TIN PLATING
3260-0017-05	RJJS-88-A205-EJH-016	6U" GOLD PLATING. LED1: YELLOW. LED2: GREEN. WITH EMI TAB. TAB WITHOUT TIN PLATING
3260-0017-07	RJJS-88-A207-EJH-016	6U" GOLD PLATING. LED1: YELLOW. LED2: GREEN. WITH EMI TAB. TAB WITH TIN PLATING
3260-0017-08	RJJS-88-A208-EJH-016	6U" GOLD PLATING. LED1: YELLOW. LED2: GREEN/ORANGE. WITH EMI TAB. TAB WITH TIN PLATING
3260-0017-09	RJJS-88-A209-EJH-016	6U" GOLD PLATING. LED1: GREEN/YELLOW. LED2: GREEN/YELLOW. WITH EMI TAB. TAB WITH TIN PLATING
3260-0017-15	RJJS-88-A215-EJH-016	6U" GOLD PLATING. LED1: GREEN/YELLOW. LED2: GREEN. WITH EMI TAB. TAB WITHOUT TIN PLATING
3260-0017-18	RJJS-88-A218-EJH-016	6U" GOLD PLATING. LED1: YELLOW/GREEN. LED2: GREEN. WITH EMI TAB. TAB WITHOUT TIN PLATING
3260-0017-20	RJJS-88-A220-EJH-016	6U" GOLD PLATING. LED1: GREEN/YELLOW. LED2: GREEN/YELLOW. WITH EMI TAB. TAB WITH TIN PLATING
3260-0017-25	RJJS-88-A403-EJH-016	30U" GOLD PLATING. LED1: GREEN. LED2: GREEN. WITH EMI TAB. TAB WITHOUT TIN PLATING
3260-0017-26	RJJS-88-A404-EJH-016	30U" GOLD PLATING. LED1: GREEN. LED2: YELLOW. WITH EMI TAB. TAB WITHOUT TIN PLATING
3260-0017-27	RJJS-88-A405-EJH-016	30U" GOLD PLATING. LED1: YELLOW. LED2: GREEN. WITH EMI TAB. TAB WITHOUT TIN PLATING
3260-0017-29	RJJS-88-A407-EJH-016	30U" GOLD PLATING. LED1: YELLOW. LED2: GREEN. WITH EMI TAB. TAB WITH TIN PLATING
3260-0017-30	RJJS-88-A408-EJH-016	30U" GOLD PLATING. LED1: YELLOW. LED2: GREEN/ORANGE. WITH EMI TAB. TAB WITH TIN PLATING
3260-0017-31	RJJS-88-A409-EJH-016	30U" GOLD PLATING. LED1: GREEN/YELLOW. LED2: GREEN/YELLOW. WITH EMI TAB. TAB WITH TIN PLATING
3260-0017-37	RJJS-88-A415-EJH-016	30U" GOLD PLATING. LED1: GREEN/YELLOW. LED2: GREEN. WITH EMI TAB. TAB WITHOUT TIN PLATING
3260-0017-40	RJJS-88-A418-EJH-016	30U" GOLD PLATING. LED1: YELLOW/GREEN. LED2: GREEN. WITH EMI TAB. TAB WITHOUT TIN PLATING
3260-0017-42	RJJS-88-A420-EJH-016	30U" GOLD PLATING. LED1: GREEN/YELLOW. LED2: GREEN/YELLOW. WITH EMI TAB. TAB WITH TIN PLATING



PC Board Layout
Component Side Shown

	X1	ADD PART NO.	ROCK	042512'
	X1	UPDATE P/N	DORIS	082011'
	X1	ADD NEW P/N(3)	YANG	010710
	X1	ADD NEW P/N(3)	YANG	072009
	X1	ADD NEW P/N(3)	YANG	031909
	X1	UPDATE DRAWING(1)	BOB	121208
	X2	UPDATE DRAWING(1)	BOB	101308
	X0	NEW DESIGN	LINGER	080106
MARK	ECN-NO.	REVISION RECORD	DRAWN	DATE

UNLESS OTHERWISE SPECIFIED TOLERANCE		SCALE	CHECKED
Dimension Range	Tolerance	1/1	
X.X	±0.20	UNIT	APPROVED
X.XX	±0.15	mm	
X.XXX	±0.10	SIZE	
ANGLE	±5°	A3	SHEET 2/2
Material/Plated/Notes		NAME	
SEE NOTE		2X1 RJ45 LED JACK	
PART NO.		SEE NOTE	REV.
DOC. NO.			H



UL UL RECOGNIZED - FILE #E465899