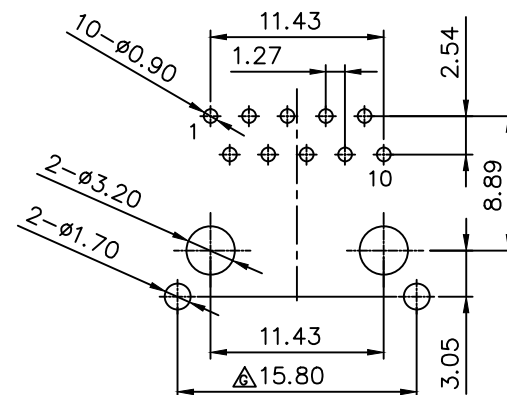
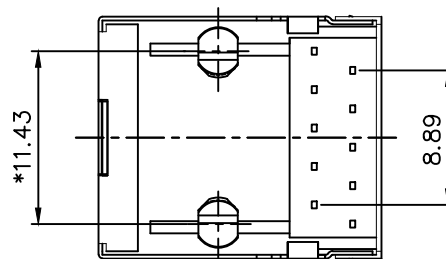
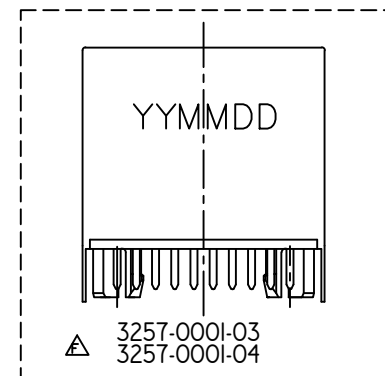
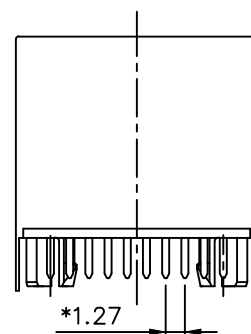
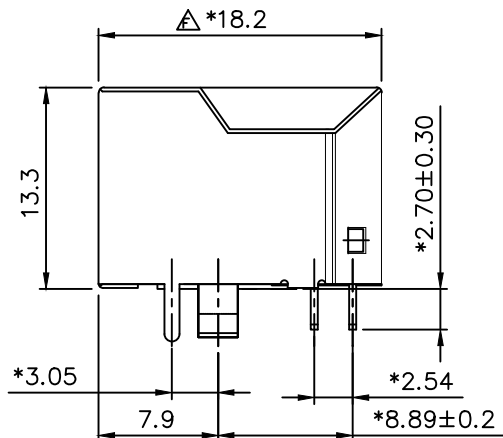
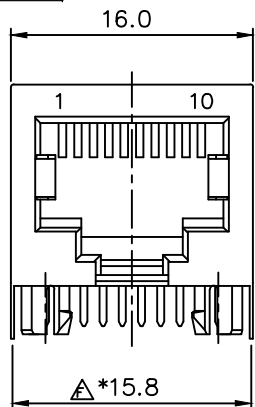


RoHS

THIS IS A RoHS COMPLIANT COMPONENT/PRODUCT.



PC Board Layout Component Side Shown

NOTES:

ELECTRICAL:

- 1. VOLTAGE RATING : 125 VAC MIN.
- 2. CURRENT RATING : 1.5 AMP MIN.
- 3. CONTACT RESISTANCE : 30 MILLIOHMS MAX.
- 4. INSULATION RESISTANCE : 1000 MEGOHMS MIN. @ 500 VDC.
- 5. DIELECTRIC STRENGTH : 1000 VAC 60Hz, 1MIN.

MECHANICAL:

- 1. HOUSING MATERIAL : HIGH TEMP. UL94V-0.
- △ 2. INSERT MATERIAL : HIGH TEMP. UL94V-0.
- △ 3. SHIELD MATERIAL : BRASS t=0.20 mm PLATED NICKEL 30u" MIN.
- 4. CONTACT MATERIAL : PHOSPHOR BRONZE t=0.35 mm.
- △ 5. PLATING : GOLD PLATING OVER NICKEL.  
PLATING NICKEL 30u"~80u" FOR GOLD 3u"~30u"  
PLATING Sn 100u"~200u".
- △ 6. OPERATING LIFE : 1000 CYCLES MIN.
- 7. PCB RETENTION PRE-SOLDER : 1 LB MIN.
- 8. PCB RETENTION POST-SOLDER : 10 LBS MIN.

ENVIRONMENTAL:

- 1. STORAGE : -40°C TO +85°C.
- 2. OPERATION : -40°C TO +85°C.

△ MATES WITH MODULAR PLUG CONFORMING TO TIA-1096-A.

ORDERING INFORMATION:

PART NUMBER	PRODUCT CODE	CONFIGURATION
3257-0001-01	RJJS-I08-I23-E7H-005	6U" GOLD PLATING, I0P8C
3257-0001-02	RJJS-I08-I43-E7H-005	30U" GOLD PLATING, I0P8C
3257-0001-03	RJJS-I010-I25-E7H-005	6U" GOLD PLATING, I0PIOC
3257-0001-04	RJJS-I010-I45-E7H-005	30U" GOLD PLATING, I0PIOC

UL US UL RECOGNIZED - FILE #E465899

△ X1		UPDATE DIM.	DORIS	121914'
△ X9		MODIFY DRAWING	DORIS	120513'
△ X1		ADD NEW P/N	DORIS	032511'
△ X3		ADD PART NO.(1)	ARES	121010
△ X2		ADD PART NO.(1)	YANG	122308
△ X1		ADD PART NO.(3)	SAIL	060508
△ X0	000000	NEW DESIGN	LINGER	102506
MARK	ECN-NO.	REVISION RECORD	DRAWN	DATE

UNLESS OTHERWISE SPECIFIED TOLERANCE		SCALE	CHECKED
Dimension Range	Tolerance	1/1	
X.X	±0.20	UNIT	APPROVED
X.XX	±0.15	mm	
X.XXX	±0.10	SIZE	
ANGLE	±5°	A3	SHEET 1/1

**encitech**

Material/Plated/Notes NAME

SEE NOTE SIDE ENTRY JACK, 10P FTP

Tooling No.	PART NO. SEE NOTE	REV. G
	DOC. NO.	