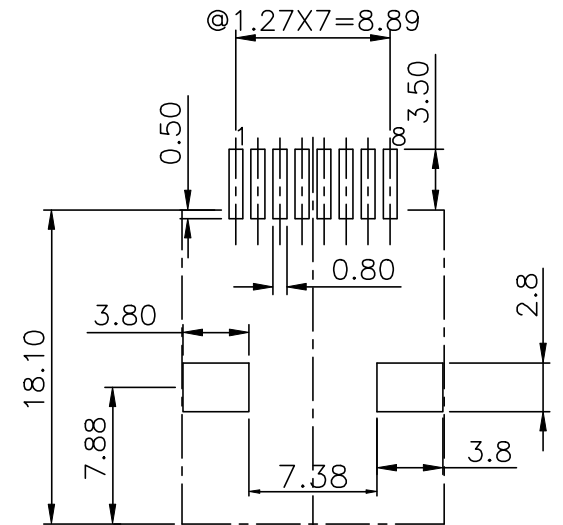
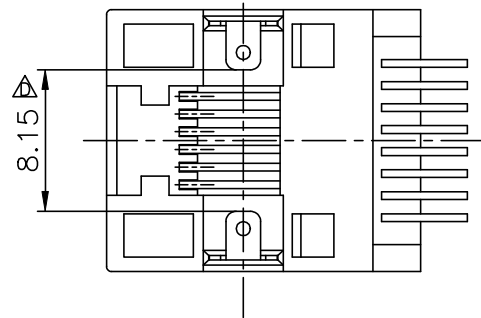
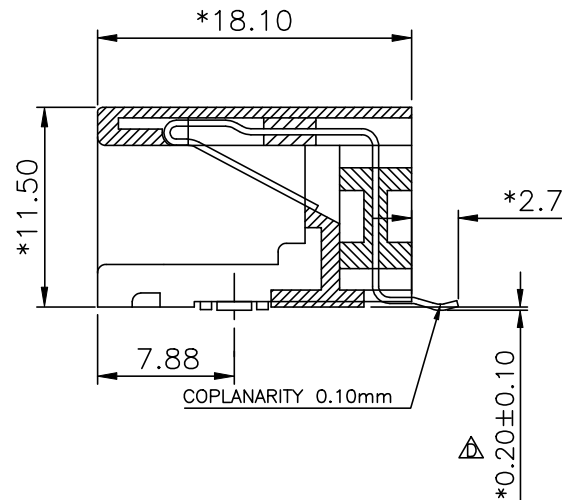
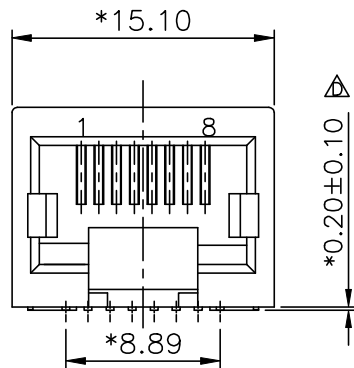


RoHS

THIS IS A RoHS COMPLIANT COMPONENT/PRODUCT.



PC BOARD LAYOUT COMPONENT SIDE SHOWN

NOTES:

ELECTRICAL:

- 1. VOLTAGE RATING : 125 VAC.
- 2. CURRENT RATING : 1.5 AMP.
- 3. CONTACT RESISTANCE : 35 MILLIOHMS MAX.
- 4. INSULATION RESISTANCE: 1000 MEGOHMS MIN @ 500 VDC.
- 5. DIELECTRIC STRENGTH : 1000 VAC 60Hz, 1MIN.

MECHANICAL:

- 1. HOUSING MATERIAL : HIGH TEMP UL94V-0 BK.
- 2. CONTACT MATERIAL : PHOSPHOR BRONZE t=0.35mm.
- 3. PLATING : GOLD PLATING OVER NICKEL.
- 4. OPERATING LIFE : 750 CYCLES MIN.
- 5. PCB RETENTION POST-SOLDER: 10 LBS MIN.

ENVIRONMENTAL:

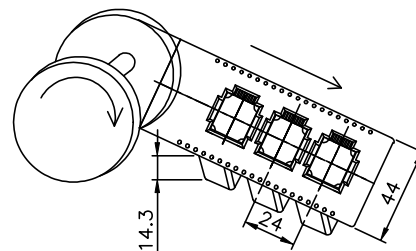
- 1. STORAGE : -40°C TO +85°C.
- 2. OPERATION: -40°C TO +85°C.
- 3. REFLOW SOLDERING TEMP. : 255°C~265°C (5~10 SECONDS).

MATES WITH MODULAR PLUG CONFORMING TO FCC PART 68, SUBPART F.

ORDERING INFORMATION:

PART NUMBER	PRODUCT CODE	CONFIGURATION
3253-0010-01	RJJU-88-I2I-E3H-005	6U" GOLD PLATING
3253-0010-02	RJJU-88-I4I-E3H-005	30U" GOLD PLATING

UL US UL RECOGNIZED - FILE #E465899



MARK	ECN-NO.	REVISION RECORD	DRAWN	DATE
△ X2		MODIFY DRAWING	ROCK	061112'
△ X1		ADD NEW P/N	YANG	010810
△ X1		MODIFY DESIGN	YANG	081308
△ X0	0000000	NEW DESIGN	LINGER	102706

Material/Plated/Notes	UNLESS OTHERWISE SPECIFIED TOLERANCE		SCALE	CHECKED
	Dimension Range	Tolerance	2.5/1	
SEE NOTE	X.X	±0.20	UNIT	APPROVED
	X.XX	±0.15	mm	
	X.XXX	±0.10	SIZE	
	ANGLE	±5°	A3	SHEET 1/1
NAME	SIDE ENTRY 8P8C SMT JACK PEG IN			
PART NO.	SEE NOTE	REV.	D	
Tooling No.	DOC. NO.			