

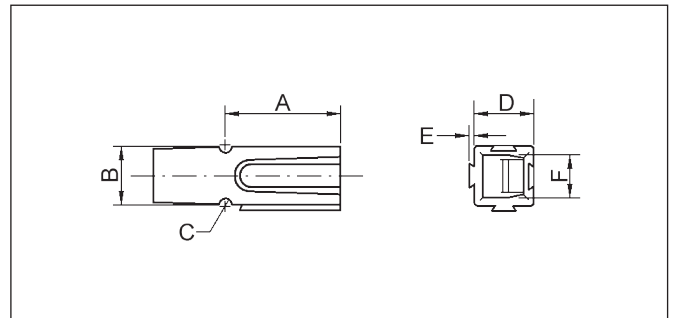
TECHNICAL SPECIFICATIONS

Housing:	Polycarbonate
Contacts:	Copper
Contact Plating:	Silver
Spring:	Stainless Steel
Flammability Rating:	UL94 V-0
Operating Temperature Range:	-20°C to 105°C
Insulation Withstanding Test:	2200 VDC
Vibration Resistance:	Excellent
Mating Cycles:	10.000 (For disconnect use only)



Features:

- Cost Effective Reliability
- Genderless Connectors
- Provides 600 Volts Continuous AC or DC



Model:	A	B	C	D	E	F
15/30/45 A	14,70	8,40	1,30	7,90	0,50	5,00

Order Codes:

15/30A	Part No:	Description:	Colour:	
Housings:	1130-0100-01	ET1327G8	Blue	
	1130-0100-02	ET1327G6	Black	
	1130-0100-03	ET1327G7	White	
	1130-0100-04	ET1327	Red	
	1130-0100-05	ET1327G5	Green	
	1130-0100-06	ET1327G18	Grey	
Contact pins:	1130-0110-01	ET1331	12-16 AWG	
	1130-0110-02	ET1332	16-20 AWG	

