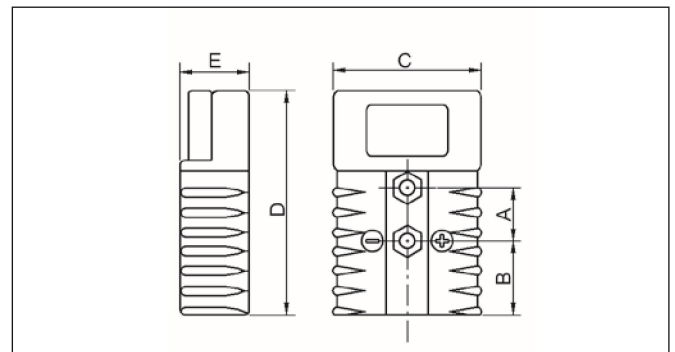


**TECHNICAL SPECIFICATIONS**

Housing: Polycarbonate  
 Contacts: Copper  
 Contact Plating: Silver  
 Spring: Stainless Steel  
 Flammability Rating: UL94 V-0  
 Operating Temperature Range: -20°C to 105°C



Model:	A	B	C	D	E
S350	29	35	70	108	27

**Order Codes:**

MODEL: S350		Current: 350 Amp		Wire Size: 70mm <sup>2</sup> AWG 2/0	
Part No:	Description:	Colour:	Voltage:		
1130-0221-01	ET49240	Yellow	12V		
1130-0221-02	ET49250	Red	24V		
1130-0221-03	ET49210	Grey	36V		
1130-0221-04	ET49220	Blue	48V		
1130-0221-05	ET49260	Green	72V		

