

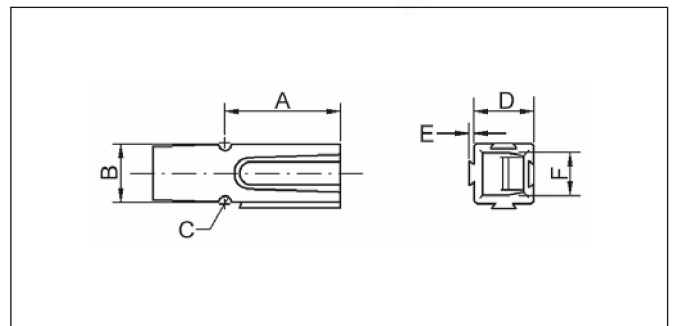
TECHNICAL SPECIFICATIONS

Housing:	Polycarbonate
Contacts:	Copper
Contact Plating:	Silver
Spring:	Stainless Steel
Flammability Rating:	UL94 V-0
Operating Temperature Range:	-20°C to 105°C
Insulation Withstanding Test:	2200 VDC
Vibration Resistance:	Excellent
Mating Cycles:	10.000 (For disconnect use only)



Features:

- Cost Effective Reliability
- Genderless Connectors
- Provides 600 Volts Continuous AC or DC



Model:	A	B	C	D	E	F
180 A	54,10	28,70	2,50	28,40	1,50	23,10

Order Codes:

180A	Part No:	Description:	Colour:	
Housings:	1130-0103-01	ET1381	Blue	
	1130-0103-02	ET1381G1	Black	
	1130-0103-03	ET1381G2	White	
	1130-0103-04	ET1381G3	Red	
	1130-0103-05	ET1381G4	Green	
Contact pins:	1130-0113-01	ET1382	AWG 1/0	
	1130-0113-02	ET1383	AWG 2	
	1130-0113-03	ET1384	AWG 4	
	1130-0113-04	ET1347-1	AWG 1	



Encitech AB
Rörkullsvägen 4
SE-302 41 HALMSTAD, Sweden

Tel: +46-(0)35-15 13 90
e-mail: connectors@encitech.com

www.encitech.com