

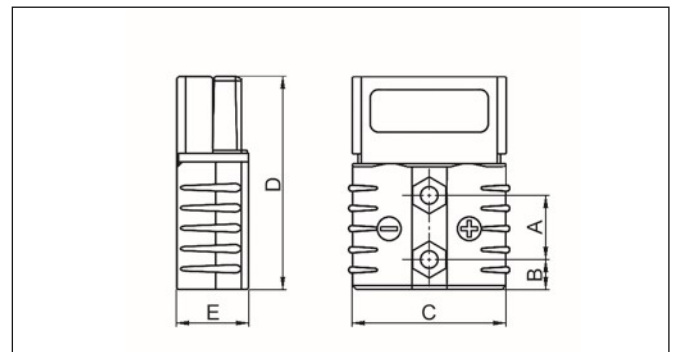
TECHNICAL SPECIFICATIONS

Housing: Polycarbonate
 Contacts: Copper
 Contact Plating: Silver
 Spring: Stainless Steel
 Flammability Rating: UL94 V-0
 Operating Temperature Range: -20°C to 105°C



Features:

- Recognized by Underwriters Laboratories
- Listed by Canadian Standard Association
- S50 is offered with 6mm² or 16mm² Contacts
- Contact pins included with the hose



Model:	A	B	C	D	E
S175	29	11	56	80	19

Order Codes:

MODEL: S175		Current: 175 Amp		Wire Size: 50mm ² AWG 1/0	
Part No:	Description:	Colour:	Voltage:		
1130-0211-01	ET49140	Yellow	12V		
1130-0211-02	ET49130	Orange	18V		
1130-0211-03	ET49150	Red	24V		
1130-0211-04	ET49110	Grey	36V		
1130-0211-05	ET49120	Blue	48V		
1130-0211-06	ET49170	Black	80V		



Encitech AB
 Rörkullsvägen 4
 SE-302 41 HALMSTAD, Sweden

Tel: +46-(0)35-15 13 90
 e-mail: connectors@encitech.com

www.encitech.com