

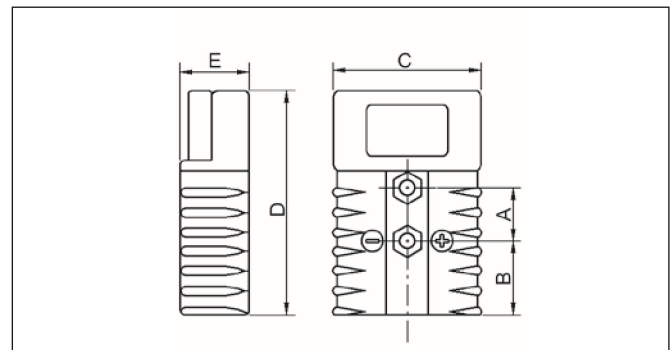
TECHNICAL SPECIFICATIONS

Housing: Polycarbonate
 Contacts: Copper
 Contact Plating: Silver
 Spring: Stainless Steel
 Flammability Rating: UL94 V-0
 Operating Temperature Range: -20°C to 105°C



Features:

- Recognized by Underwriters Laboratories
- Listed by Canadian Standard Association
- S50 is offered with 6mm² or 16mm² Contacts
- Contact pins included with the hose



Model:	A	B	C	D	E
S50	19	6,5	36,5	47,5	11,5

Order Codes:

MODEL:	S50			
Current:	50 Amp			
Wire Size:	6mm ² / 16mm ² (AWG 10 / AWG 6)			
Part No:	Description:	Colour:	Voltage:	
1130-0201-01	ET49051	Red	24V / 6mm ²	
1130-0201-02	ET49050	Red	24V / 16mm ²	
1130-0201-03	ET49011	Grey	36V / 6mm ²	
1130-0201-04	ET49010	Grey	36V / 6mm ²	
1130-0201-05	ET49071	Black	80V / 6mm ²	
1130-0201-06	ET49070	Black	80V / 16mm ²	



Encitech AB
 Rörkullsvägen 4
 SE-302 41 HALMSTAD, Sweden

Tel: +46-(0)35-15 13 90
 e-mail: connectors@encitech.com

www.encitech.com