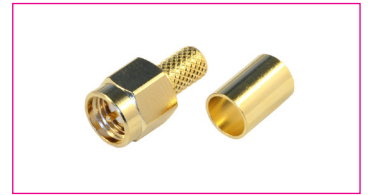


SPECIFICATION:

Operating Voltage (Max.): 500 Veff
 Impedance: 50 Ω
 Insulation Resistance (Min.): 5000 MΩ
 Contact Resistance Outer Conductor (Max.): 2 mΩ
 Contact Resistance Inner Conductor (Max.): 3 mΩ
 Dielectric Strength: 1,000 Veff



MATERIAL:

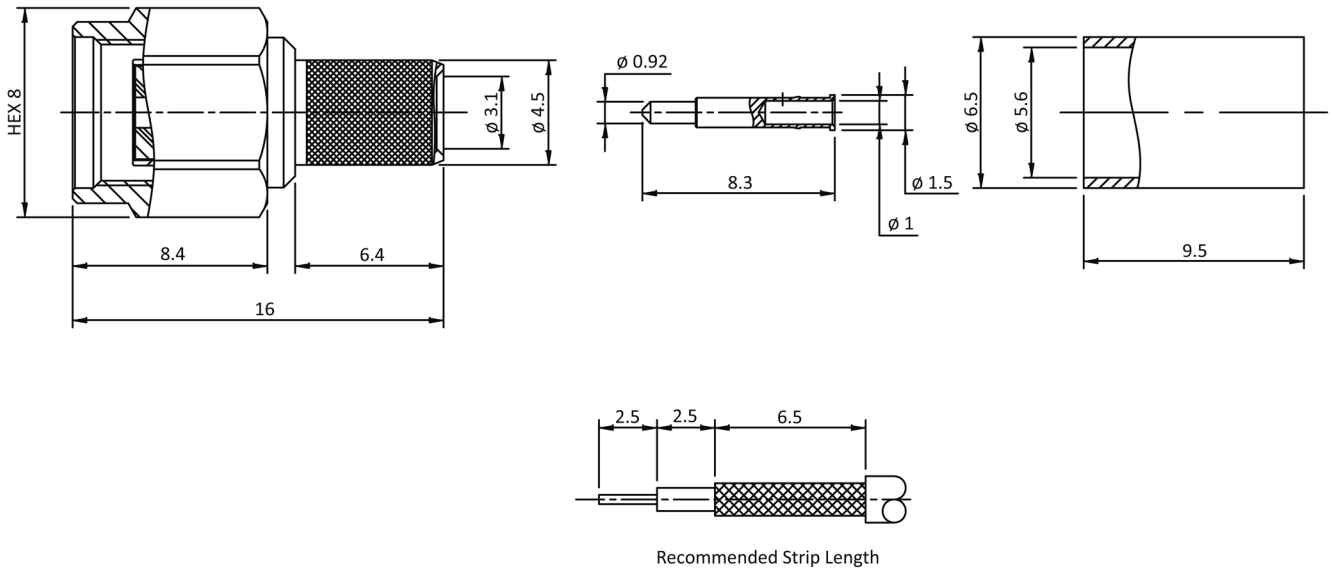
Material (Outer Conductor): brass, 2 μ" gold plating
 Material (Inner Conductor): brass / phosphor bronze, gold plated
 Material (Insulation): teflon
 Material (Seal): silicone

HANDLING:

Packaging: bulk

TOLERANCE:

.X: ± 0.40
 .XX: ± 0.20



Order Information

Identifier:

SMA2MG

SMA male gold plated for RG 58, solder / crimp