

Connectors for LED Illumination Male and Female Headers Pitch 2.54 mm

Height 2.4 mm SMT



SPECIFICATION:

Operating Voltage (Max.):	24 V
Operating Current (Nom.):	3 A
Operating Temperature:	-55°C to 125°C
Insulation Resistance (Min.):	1000 MΩ
Contact Resistance (Max.):	10 mΩ
Dielectric Strength:	500 Vac
Operating Life in Mating Cycles (Min.):	1000
Soldering Heat (Max.):	260 °C for 5 s

MATERIAL:

Material (Terminal):	copper alloy, gold plated
Material (Insulation):	thermoplastic
Material (Contact Area):	copper alloy, gold plated

HANDLING:

Packaging:	taped
------------	-------

TOLERANCE:

.X:	± 0.38
.XX:	± 0.25

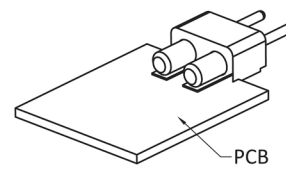
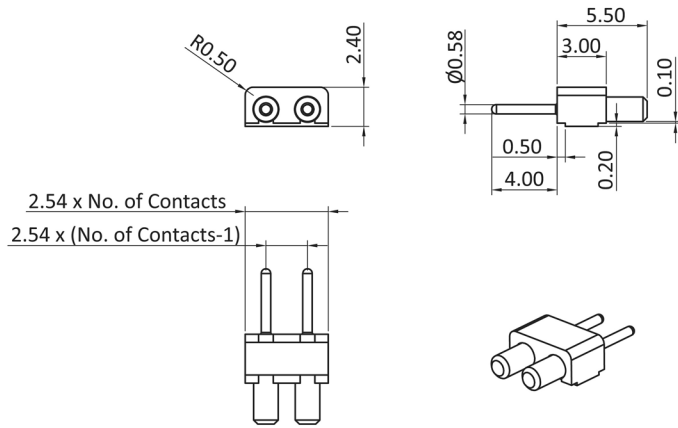


Figure of PCB Mounting

Male

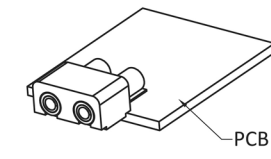
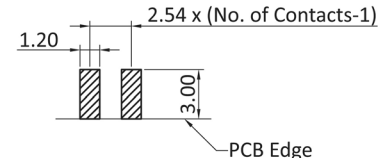
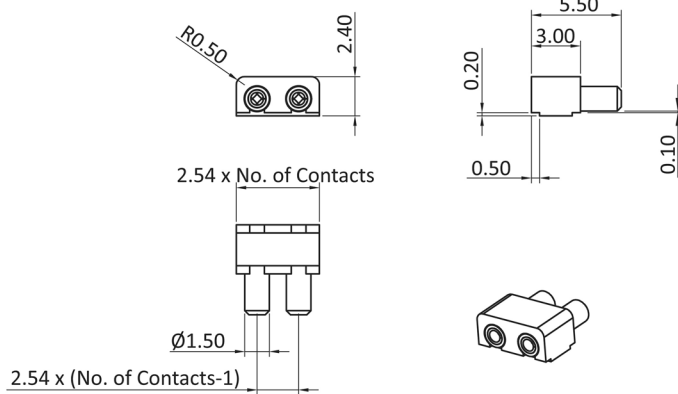


Figure of PCB Mounting

Female

Order Information

Identifier:	Version:	No. of Contacts:	Colour:
LEDV01	#	#	#
LED Connector pitch 2.54 mm height 2.4 mm SMT	ST: male BU: female	2: 2 poles 3: 3 poles 4: 4 poles 5: 5 poles	WS: white SW: black BG: ivory