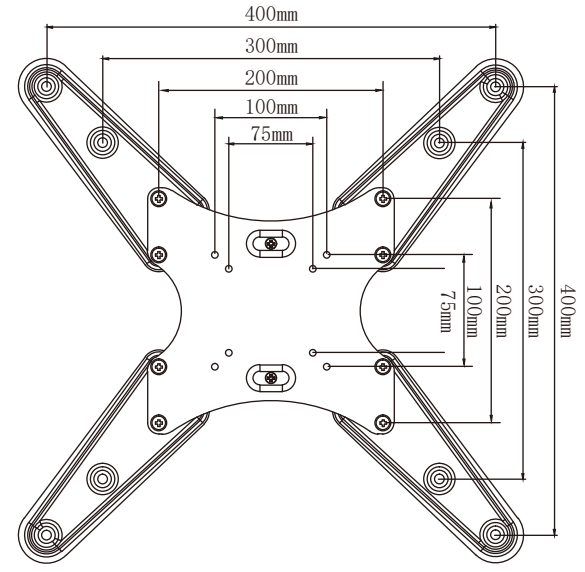
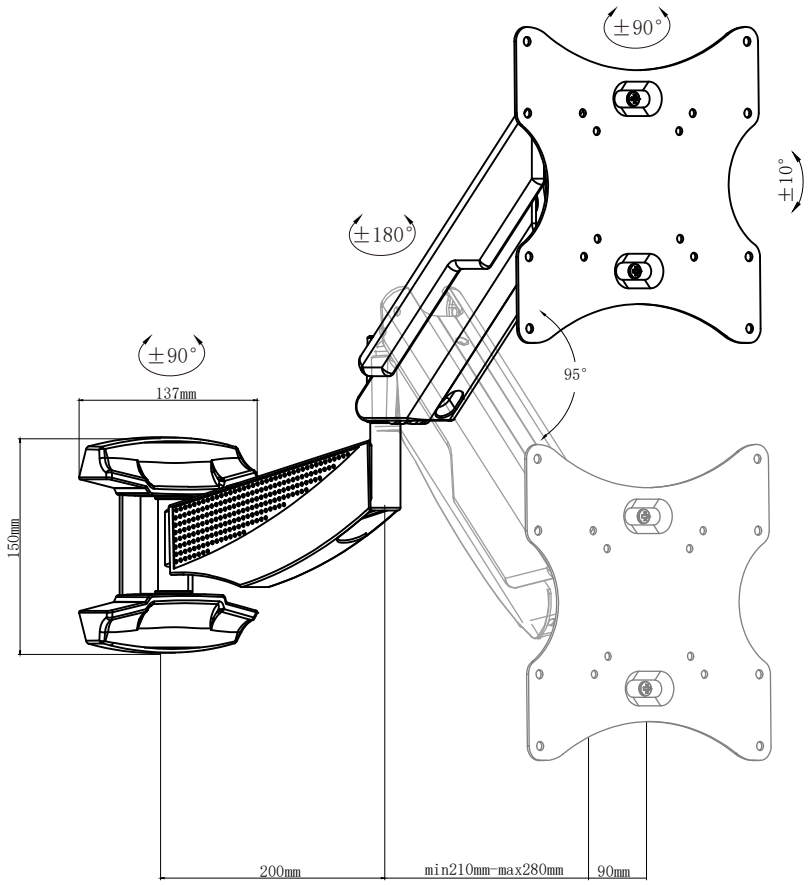


REV.	DESCRIPTION	ENG.	APPROVAL



VESA thickness: 2.0mm
 Wall plate thickness: 3.0mm
 Adapter thickness: 3.0mm

THESE DRAWINGS AND SPECIFICATIONS ARE THE PROPERTY OF INTRACOM Asia Co.,Ltd. AND SHALL NOT BE REPRODUCED COPIED OR USED IN ANY MANNER WITHOUT THE PRIOR WRITTEN CONSENT OF INTRACOM Asia Co.,Ltd.

UNLESS OTHERWISE SPECIFIED: DIMENSIONS ARE IN MILLIMETERS ANGULAR TOLERANCE: ±1°

TOLERANCE (INCH)		TOLERANCE (MM)	
x	±0.02"	x	±0.5mm
x.x	±0.01"	x.x	±0.20mm
x.xx	±0.008"	x.xx	±0.15mm
x.xxx	±0.005"	x.xxx	±0.10mm

TITLE:		APPD		
		Check		
CUSTOMER:		Drawer	Date 2018.Mar.04	
CUSTOMER P/N:		Unit	mm	Projection $\Rightarrow \oplus$
ICT P/N: 461641		Scale	1:1	Size. A4
DWG.NO:		Sheet	1 of	REV. A