

Linear actuator DSZY35 (of stainless steel)

Stainless steel electric linear actuators are required in a wide variety of applications. The electric linear actuator DSZY35 is made of stainless steel. It is available in the model:

DSZY35-HS2
(with 2-channel Hall sensor for incremental position feedback)

Equipped with a trapezoidal screw (ACME screw) it is small, compact and lightweight DC linear actuator. With the help of an integrated diode circuit, a fast reversal of direction is achieved by simple voltage reversal of the DC motor.

The DSZY35 does not have integrated limit switches. Overloading of the drive can be prevented by separate monitoring and limiting of the current.

Hall sensor
CE



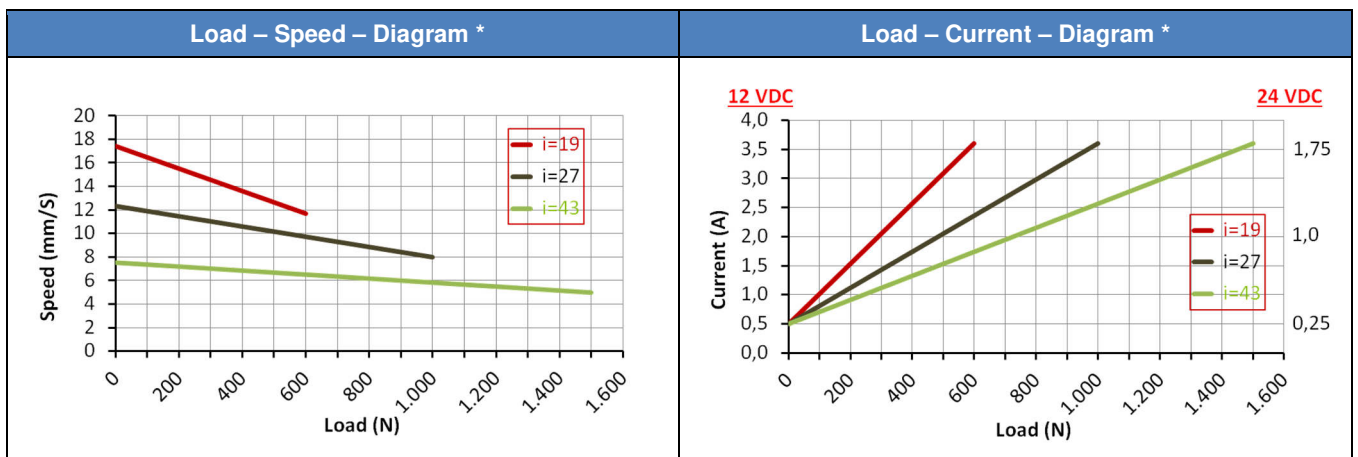
DSZY35

Type code (all options can be combined)

						Optional		
DSZY35	- 12	- 19	- 200	- HS2	- IP69K	- C	1	1
Type	Input voltage	Gear reduction i	Stroke	Version	IP Code	Front connector (piston rod)	Rear connector (gear cover)	
	12 Vdc 24 Vdc	19 27 43	50 mm 100 mm 150 mm 200 mm 250 mm 300 mm 350 mm 400 mm	2-channel Hall sensor		1 = massive 2 = Standard	1 = Standard 2 = clevis	

Performance data: Load – Speed – Current

Gear reduction i	Dynamic Load (N)	Static load (N)	Typical speed * (mm/s)		Typical current * (A)			
			minimum load	maximum load	minimum load		maximum load	
					12 Vdc	24 Vdc	12 Vdc	24 Vdc
19	600	1,800	17.4	11.7	0.5	0.25	3.6	1.8
27	1,000	1,800	12.3	8.0	0.5	0.25	3.6	1.8
43	1,500	1,800	7.5	5.0	0.5	0.25	3.6	1.8



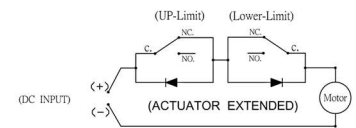
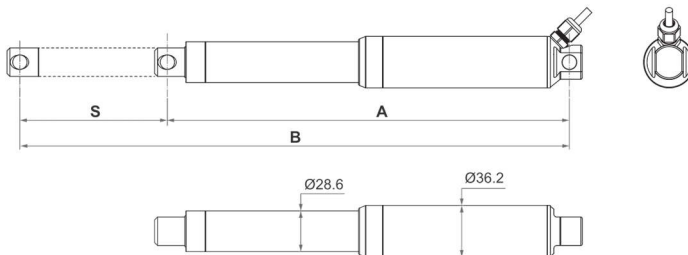
(*) Average values

Additional technical specifications

- push/pull load: up to 1,500 N
- static load: 1,800 N (to i=43)
- Operating temperature: -20 C°- 70 C°
- Duty cycle 10 % (e.g., 2 min continuous operation – 18 min pause)
- Housing is made of SUS304 stainless steel
- Outer tube and push rod made of stainless steel SUS304
- Voltage: 12 Vdc und 24 Vdc
- IP Code IP69K for all models
- Certificates: CE, EMC 2014/30/EU

Dimensions

Dimensions (length) in mm									
Front- / Rear-connector	Stroke (S) ± 3mm	50	100	150	200	250	300	350	400
Standard	(A) retracted	237	287	337	387	437	487	537	587
	(B) extended	287	387	487	587	687	787	887	987
...-C11	(A) retracted	233	283	333	383	433	483	533	583
	(B) extended	283	383	483	583	683	783	883	983
...-C12	(A) retracted	248	298	348	398	448	498	548	598
	(B) extended	298	398	498	598	698	798	898	998
...-C22	(A) retracted	252	302	352	402	452	502	552	602
	(B) extended	302	402	502	602	702	802	902	1002



Red wire on "+" and black wire on "-": Actuator extends.

Black wire on "+" and red wire on "-": Actuator retracts.

Cable length: 1,000 mm

Weight

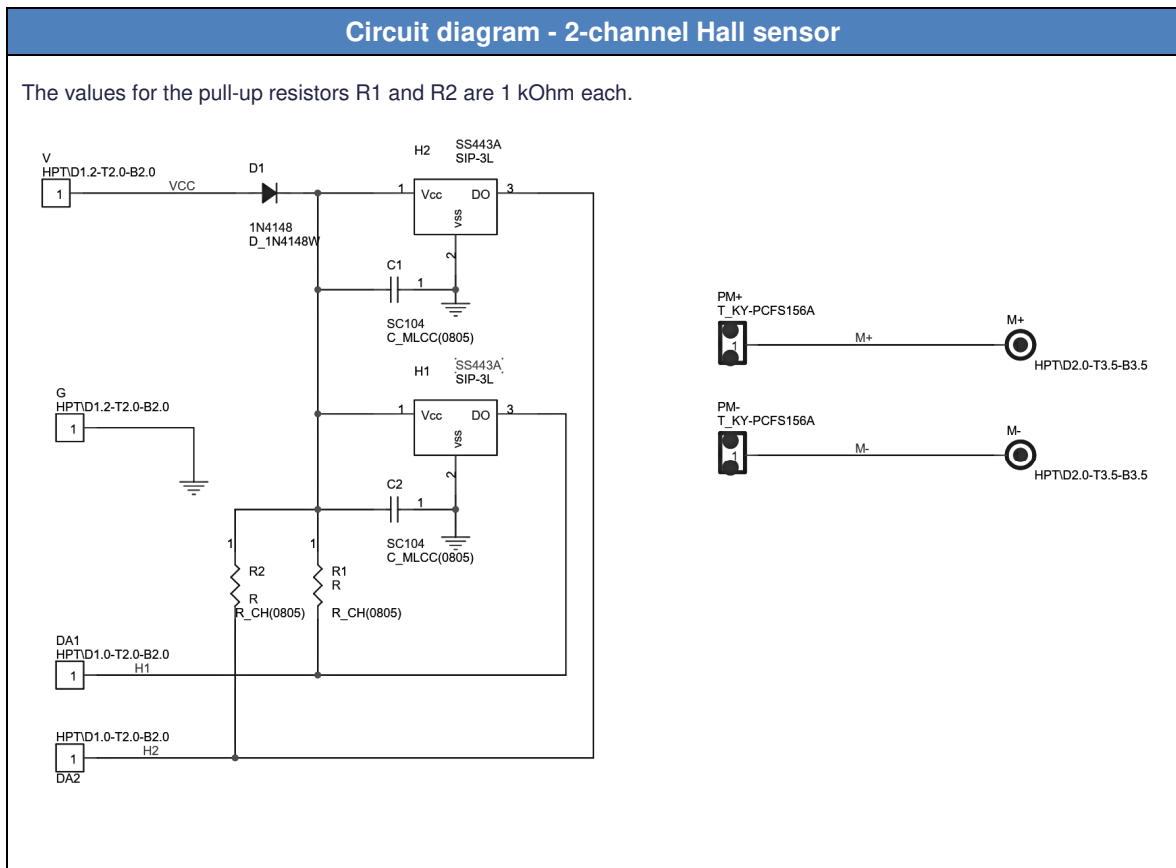
Stoke in mm	50	100	150	200	250	300	350	400
Weight in kg	1.000	1.130	1.200	1.410		1.700		1.860

2-channel Hall sensor

Power		2-channel Hall sensor			
Red	Black	White	Yellow	Blue	Green
M+	M-	GND	Vcc	Data1	Data2
		<p>Actuator extends</p>		<p>Actuator retracts</p>	

Gear reduction i	19	27	43
Resolution (pulse/mm)	9.56	13.50	21.45

Voltage input range: Vcc: 3.5 Vdc – 30 Vdc – Output voltage of signal: Data1 / Data2 = Vcc



Front and rear connector

Front connector (piston rod)		Rear connector (gear cover)	
1	2 = Standard	1 = Standard	2

CAUTION:

C21 is standard and will not be specified in the type code.

If at least one connector is changed, option C must be attached to the type code (e.g., DSZY35...-IP69K-C11)

Mounting material

Mounting bracket DSZY4-H02	
<p>Caution with rear attachment: Due to the cable routing, the actuator is here only swivelling to a limited extent.</p>	

Installation instructions

CAUTION: The DSZY35 does **not** have integrated limit switches. This electric linear actuator is supplied as standard with a 2-channel Hall sensor to prevent it from moving into its mechanical end positions.

In general, we recommend additionally setting separate limit switches and thus preventing the electric linear actuator from moving into its mechanical end positions in the event of failure of the hall sensors.

It must be ensured that the load is not greater than shown in the diagram. To protect against overload, the voltage must be switched off when the maximum rated current is reached. This can be read in the load-current diagram depending on the selected reduction ratio. Please note the correct supply voltage, which is indicated on the electric linear actuator.

The piston rod extends when the red wire is connected to positive and the black wire to negative. For the retraction of the piston rod, positive must be reversed with negative.

<p>MSW Motion Control GmbH</p>	<p>Drive System Europe by MSW® A trade mark of MSW Motion Control GmbH</p>	
	<p>MSW Motion Control GmbH Vertriebsgesellschaft Schloßstr. 32/34, 33824 Werther (Westf.) Germany</p>	<p>anfrage@msw-motion.de www.msw-motion.de Tel.: +49 (0)5203 919200</p>