

**D-SERIES DRW / DRH
DRH275012LT**

Weidmüller Interface GmbH & Co. KG
Klingenbergstraße 16
D-32758 Detmold
Germany
Fon: +49 5231 14-0
Fax: +49 5231 14-292083
www.weidmueller.com

Product image


Similar to illustration

Relay from the D-SERIES DRH DC.

- 2 NO contacts or 1 NO contact and 1 NC contact
- For switching high DC loads of up to max. 3 A at 220 V DC
- Erosion-resistant AgSnO₂ contact
- Integrated blow magnet
- Wide range of coil voltages
- With integrated status display (AC red, DC green)
- With test button

General ordering data

| | |
|------------|--|
| Type | DRH275012LT |
| Order No. | 1220040000 |
| Version | D-SERIES DRW / DRH, Relay 1 NC contact and 1 NO contact with blow-out magnet and test button AgSnO ₂ , Rated control voltage: 12 V DC, Continuous current: 16 A, Flat blade connections (4.8 mm x 0.5 mm) |
| GTIN (EAN) | 4032248998517 |
| Qty. | 10 pc(s). |

**D-SERIES DRW / DRH
DRH275012LT**

Weidmüller Interface GmbH & Co. KG
 Klingenbergstraße 16
 D-32758 Detmold
 Germany
 Fon: +49 5231 14-0
 Fax: +49 5231 14-292083
 www.weidmueller.com

Technical data**Dimensions and weights**

| | | | |
|------------|--------|-----------------|------------|
| Width | 36 mm | Width (inches) | 1.417 inch |
| Height | 36 mm | Height (inches) | 1.417 inch |
| Depth | 48 mm | Depth (inches) | 1.89 inch |
| Net weight | 86.2 g | | |

Temperatures

| | | | |
|-----------------------------|--------------------------------------|-----------------------------|----------------|
| Humidity | 35 % to 85 % relative humidity level | Operating temperature, max. | 60 °C |
| Operating temperature, min. | -40 °C | Storage temperature, max. | 60 °C |
| Storage temperature, min. | -40 °C | Operating temperature | -40 °C...60 °C |
| Storage temperature | -40 °C...60 °C | | |

Environmental Product Compliance

REACH SVHC Lead 7439-92-1

Rated data UL

Certificate No. (cURus) E312083

Input

| | | | |
|-----------------------|--------------|--------------------------------|----------------|
| Rated control voltage | 12 V DC | Rated current DC | 120 mA |
| Power rating | 1.5 W | Pull-in/drop-out voltage, typ. | 9 V / 1.2 V DC |
| Coil resistance | 100 Ω ± 10 % | Status indicator | Green LED |

Output

| | | | |
|--|--------------|----------------------------|---------------|
| Rated switching voltage | 250 V AC | Max. switching voltage, AC | 250 V |
| Max. switching voltage, DC | 300 V | Continuous current | 16 A |
| Inrush current | 80 A / 50 ms | Switch-on delay | < 20 ms |
| Switch-off delay | < 20 ms | Min. switching power | 100 mA @ 12 V |
| Max. switching frequency at rated load | 1 Hz | | |

Contact data

| | | | |
|-------------------------|--|--------------------|---------|
| Contact type | 1 NC contact and 1 NO contact with blow-out magnet and test button (AgSnO ₂) | Contact resistance | ≤ 50 mΩ |
| Mechanical service life | 10 x 10 ⁶ switching cycles | | |

General data

| | | | |
|-------------|----------------|--------------------------------------|-----|
| Test button | yes (lockable) | Mechanical switch position indicator | Yes |
| Colour | Transparent | | |

**D-SERIES DRW / DRH
DRH275012LT**

Weidmüller Interface GmbH & Co. KG
 Klingenbergstraße 16
 D-32758 Detmold
 Germany
 Fon: +49 5231 14-0
 Fax: +49 5231 14-292083
 www.weidmueller.com

Technical data**Insulation coordination**

| | | | |
|--|-----------------------------|--|-----------------------------|
| Insulation coordination according to | EN 61810-1:2008 | Rated voltage | 400 V |
| Surge voltage category | III | Pollution severity | 3 |
| Insulating material group | IIIa | Protection degree | IP20 |
| Dielectric strength, Input/Output | 4 kV _{eff} / 1 min | Creepage and clearance distance input – output | ≥ 6,3 mm |
| Dielectric strength of neighbouring contacts | 4 kV _{eff} / 1 min | Dielectric strength of open contact | 4 kV _{eff} / 1 min |

Further details of approvals / standards

| | | | |
|-----------|--|-------------------------|---------|
| Standards | IEC 61810-1, EN 60664-1:2007, EN 61000-6-2:2005, EN 61000-6-4:2007 + A1:2011, UL 508 | Certificate No. (cURus) | E312083 |
|-----------|--|-------------------------|---------|

Connection data

| | |
|------------------------|---|
| Wire connection method | Flat blade connections (4.8 mm x 0.5 mm) |
|------------------------|---|

Classifications

| | | | |
|------------|-------------|------------|-------------|
| ETIM 3.0 | EC001437 | ETIM 5.0 | EC001437 |
| ETIM 6.0 | EC001437 | eClass 6.2 | 27-37-16-01 |
| eClass 7.1 | 27-37-16-01 | eClass 8.1 | 27-37-16-01 |
| eClass 9.0 | 27-37-16-01 | eClass 9.1 | 27-37-16-01 |

Approvals

Approvals



ROHS Conform

Downloads

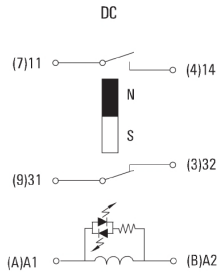
| | |
|---|---|
| Approval/Certificate/Document of Conformity | DE_PA_5600_160310_005.pdf |
| Brochure/Catalogue | CAT 4.2 ELECTR 18/19 EN |
| Engineering Data | EPLAN, WSCAD |
| Engineering Data | STEP |

**D-SERIES DRW / DRH
DRH275012LT**

Weidmüller Interface GmbH & Co. KG
Klingenbergstraße 16
D-32758 Detmold
Germany
Fon: +49 5231 14-0
Fax: +49 5231 14-292083
www.weidmueller.com

Drawings

Wiring diagram



View of Pins from below

Graph



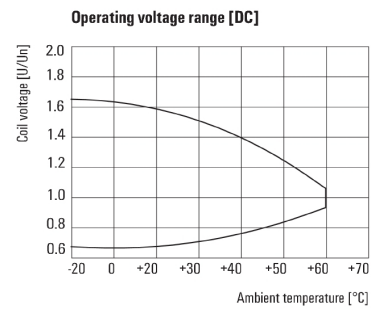
DC load limit curve
Resistive load

Graph



Electrical service life

Graph



DC operational voltage range

Dimensional drawing



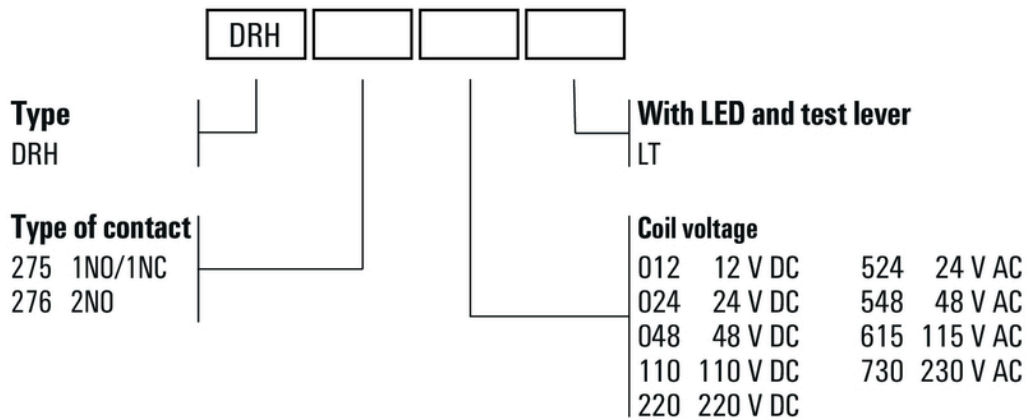
Data sheet

**D-SERIES DRW / DRH
DRH275012LT**

Weidmüller Interface GmbH & Co. KG
 Klingenbergstraße 16
 D-32758 Detmold
 Germany
 Fon: +49 5231 14-0
 Fax: +49 5231 14-292083
 www.weidmueller.com

Drawings

Miscellaneous



Type codes