

Klippon Control Station (control and signalling device) KLIPPON CS K41-4

Weidmüller Interface GmbH & Co. KG
Klingenbergstraße 16
D-32758 Detmold
Germany
Fon: +49 5231 14-0
Fax: +49 5231 14-292083
www.weidmueller.com



On-site control with Ex-certified Klippon® Control Station:
small command and signalling devices
Approved operating and display elements in stainless
steel, aluminium or polyester enclosures.
You want to control and safeguard your work processes
in hazardous areas. For on-site control - approved
Klippon® enclosure solutions with control and display
elements. Let's connect.

General ordering data

Type	KLIPPON CS K41-4
Order No.	1537510000
Version	Klippon Control Station (control and signalling device), Control / signalling device, KLIPPON K41 EX, Aluminium AISi 12, Pushbutton - red, Pushbutton - green, 2 NC contact, 2 NO contacts, -55 °C...+55 °C, IP54, IP66
GTIN (EAN)	4050118341942
Qty.	1 pc(s).
Reference product	9526920000
Cable gland	1460070000

Klippon Control Station (control and signalling device)

KLIPPON CS K41-4

Weidmüller Interface GmbH & Co. KG
 Klingenbergstraße 16
 D-32758 Detmold
 Germany
 Fon: +49 5231 14-0
 Fax: +49 5231 14-292083
 www.weidmueller.com

Technical data

Dimensions and weights

Width	120 mm	Width (inches)	4.724 inch
Height	122 mm	Height (inches)	4.803 inch
Depth	81 mm	Depth (inches)	3.189 inch
Net weight	1,092 g	Depth with add-on components	119 mm

Environmental Product Compliance

REACH SVHC Lead 7439-92-1

Certificate numbers enclosure

Certificate no. assembled enclosure (ATEX)	TÜV 14 ATEX 7606 X	Certificate no. assembled enclosure (IECEX)	IECEX ITA 14.0013X
Certificate No. (MARITREG)	15.40082.250		

General information

1 Position in enclosure	Pushbutton - red	2 Position in enclosure	Pushbutton - green
Contact design	2 NC contact, 2 NO contacts	Operating voltage, max.	400 V
Operating current at 40°C ambient temperature, max.	1.5 mm ² - T6 10 A, 1.5 mm ² - T5 16 A, 2.5 mm ² - T6 16 A	Operating current at 55°C ambient temperature, max.	1.5 mm ² - T4 16 A, 1.5 mm ² - T5 10 A, 2.5 mm ² - T5 16 A
Actuators	Pushbutton	Actuator colour	red, green
Drill holes side B	1 x M25	Lid attachment	Torx®-20 slothead screws
Seal material of operating and display elements	EPDM	Enclosure seal material	Silicone (VMQ)
Torque for lid screws	2.5 Nm	Earth stud torque	2.5 Nm
External earth	M4 earthing studs, stainless steel	Internal earth	Earth terminal
Marking	II 2 G Ex d e IIC T* Gb, II 2 D Ex tb IIIC T*°C Db	Cable gland clamping area, max.	18 mm
Cable gland clamping area, min.	10 mm	Wire connection cross section, finely stranded, max.	2.5 mm ²
Type of mounting	Wall mounting	Surface finish	Powder-coated
Impact resistance	7 joules in acc. with IEC60079-0	Temperature class	T4, T5, T6
Material	Aluminium AISi12		

Housing

Drill holes side B	1 x M25	Material	Aluminium AISi12
--------------------	---------	----------	------------------

Classifications

ETIM 6.0	EC002503	eClass 6.2	27-37-12-90
eClass 7.1	27-37-12-90	eClass 8.1	27-37-12-90
eClass 9.0	27-18-05-02	eClass 9.1	27-18-05-90

Approvals

Approvals



Data sheet**Klippon Control Station (control and signalling device)
KLIPPON CS K41-4**

Weidmüller Interface GmbH & Co. KG
Klingenbergstraße 16
D-32758 Detmold
Germany
Fon: +49 5231 14-0
Fax: +49 5231 14-292083
www.weidmueller.com

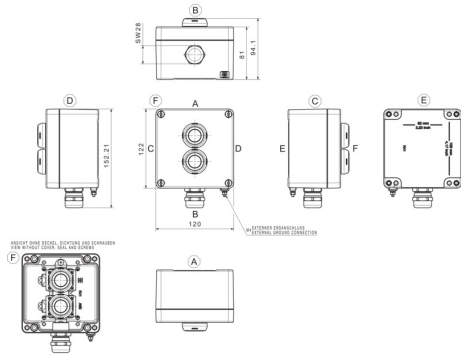
Technical data**Downloads**

Brochure/Catalogue	CAT 5 ENCL 17/18 EN PI KLIPPON CS EN
Engineering Data	EPLAN, WSCAD
Engineering Data	STEP

**Klippon Control Station (control and signalling device)
KLIPPON CS K41-4**

Weidmüller Interface GmbH & Co. KG
Klingenbergstraße 16
D-32758 Detmold
Germany
Fon: +49 5231 14-0
Fax: +49 5231 14-292083
www.weidmueller.com

Drawings



- Klippon CS POK 122208 - 4 - LdBmarLaBmpg**
- Actuating and illuminating elements
 - B: Button
 - I: Illuminated button
 - L: Lamp
 - e: NO
 - m: NC and NO
 - c: NC
 - g: Green
 - r: Red
 - e: Emergency Stop
 - p: Push
 - k: Key
 - 3: Positions of the switch
 - Drilling design
 - Dimensions
 - Enclosure Range
 - POK (Polyester)
 - K (Aluminium)
 - STB (Stainless Steel)
 - Product Name
 - Control Station
 - Brand Name
 - Klippon®

Klippon K (aluminium empty enclosure) KLIPPON K41 EX

Weidmüller Interface GmbH & Co. KG
Klingenbergstraße 16
D-32758 Detmold
Germany
Fon: +49 5231 14-0
Fax: +49 5231 14-292083
www.weidmueller.com



The Klippon® brand has long stood for competence and quality in housings – particularly when turnkey, customer-specific solutions for standard industrial applications and applications in explosive risk zones are concerned.

Improved products that meet all application requirements: this was Weidmüller's aim when modernising and upgrading the Klippon® K enclosure series. No matter what kind of application the customer is planning; Weidmüller is able to provide a wide range of aluminium enclosures precisely fitting the customer's requirements.

- Available in two surface finishes: natural and powder-coated (RAL 7001)
- Available with moulded silicone or chloroprene gasket as standard
- Uniform Torx slotted screw head for 19 enclosure sizes
- Mounting holes outside of the gasket area
- High IP protection classes: IP66, IP67 and IP68
- Impact resistance of up to 7 (10) Joules
- The enclosures are approved according ATEX, IECEx, GOST Ex, GOST, cULus, Russian Maritime Register and Germanischer Lloyd as well as the empty enclosure standard.
- Alloy is resistant to salt water
- Standardised distributor enclosures with threaded holes and a variety of terminal configurations

General ordering data

Type	KLIPPON K41 EX
Order No.	9526920000
Version	Klippon K (aluminium empty enclosure), Empty enclosure, Aluminium enclosure, Height: 120 mm, Width: 122 mm, Depth: 81 mm, Material: Aluminium AlSi12, untreated, silver
GTIN (EAN)	4032248019076
Qty.	1 pc(s).

Klippon K (aluminium empty enclosure) KLIPPON K41 EX

Weidmüller Interface GmbH & Co. KG
Klingenbergstraße 16
D-32758 Detmold
Germany
Fon: +49 5231 14-0
Fax: +49 5231 14-292083
www.weidmueller.com

Technical data

Dimensions and weights

Width	122 mm	Width (inches)	4.803 inch
Height	120 mm	Height (inches)	4.724 inch
Depth	81 mm	Depth (inches)	3.189 inch
Mounting dimension - width	106 mm	Mounting dimension - height	82 mm
Weight	840 g	Net weight	986 g

Environmental Product Compliance

REACH SVHC Lead 7439-92-1

Cable glands, left

M12	4	M16	4
M20	2	M25	1
M32	1		

Cable glands, right

M12	4	M16	4
M20	2	M25	1
M32	1		

Cable glands, top/bottom

M12	6	M16	6
M20	3	M25	2
M32	1		

Certificate numbers enclosure

Certificate no. assembled enclosure (ATEX)	IBExU12ATEX1145 X	Certificate no. empty enclosure (ATEX)	IBExU12ATEX1144 U
Certificate no. assembled enclosure (IECEx)	IECEx IBE 13.0002X	Certificate no. empty enclosure (IECEx)	IECEx IBE 13.0001U
Certificate no., assembled enclosure (EAC)	RU C-DE.ГБ08.В.01328	Certificate no., empty enclosure (EAC)	RU C-DE.ГБ08.В.00472
Certificate No. (GERMLLOYD)	TAE00002SM	Certificate No. (MARITREG)	14.40040.250

General information

Areas of use	Explosive risk zone, Process industry, Transportation, Packaging industry, Marine engineering, Machine construction, Harbour facilities	Material thickness	4.5 mm
Material thickness of cover	4 mm	Material thickness of enclosure	4.5 mm
Standards	IEC 60079-0, IEC 60079-7, IEC 60079-31	Torque for lid screws	2.5 Nm
Material	Aluminium AISi12	Seal material	Silicone
Surface finish	untreated	Operating temperature, min.	-60 °C
Operating temperature, max.	135 °C	Impact resistance	7.00 J
Protection degree	IP66, IP67	Enclosure attachment	Holes 6 mm
Lid attachment	M6 torx stainless steel screws with slot	Integral fixing	Threaded holes M5

Creation date May 27, 2019 4:52:43 PM CEST

**Klippon K (aluminium empty enclosure)
KLIPPON K41 EX**

Weidmüller Interface GmbH & Co. KG
 Klingenbergstraße 16
 D-32758 Detmold
 Germany
 Fon: +49 5231 14-0
 Fax: +49 5231 14-292083
 www.weidmueller.com

Technical data**horizontal assembly**

WDU 10 / ZDU 10	1x6	WDU 2,5 / ZDU 2,5 / IDU 2,5	1x13
WDU 4 / ZDU 4	1x11	WDU 6 / ZDU 6	1x8

vertical assembly

WDU 2,5 / ZDU 2,5 / IDU 2,5	*	WDU 4 / ZDU 4	*
-----------------------------	---	---------------	---

Classifications

ETIM 3.0	EC000049	ETIM 4.0	EC002503
ETIM 5.0	EC002503	ETIM 6.0	EC002503
UNSPSC	31-26-15-02	eClass 5.1	27-18-05-02
eClass 6.2	27-18-05-02	eClass 7.1	27-18-05-02
eClass 8.1	27-18-05-02	eClass 9.0	27-18-05-02
eClass 9.1	27-18-05-02		

Approvals

Approvals



ROHS

Conform

Downloads

Approval/Certificate/Document of Conformity	Attestation of Conformity - Klippon K Empty Enclosures - AoC DE PS2410 160308 001ISS01 EU Declaration of Conformity - Klippon K Empty Enclosures - DoC DE PS2410 160412 001ISS01
Brochure/Catalogue	MB OVERV. PROCESS WD DE MB KLIPPON ENCL.TECN EN MB PROCESS EN CAT 5 ENCL 17/18 EN FL RAILWAY 2014 EN
Engineering Data	EPLAN, WSCAD
Engineering Data	STEP
Tender specification	Klippon K41 Ex_9526920000_DE Klippon K41 Ex_9526920000_EN
User Documentation	MB KLIPPON ENCL.TECN DE Assembly guidelines - empty enclosures

**Klippon K (aluminium empty enclosure)
KLIPPON K41 EX**

Weidmüller Interface GmbH & Co. KG
 Klingenbergstraße 16
 D-32758 Detmold
 Germany
 Fon: +49 5231 14-0
 Fax: +49 5231 14-292083
 www.weidmueller.com

Drawings

Dimensioned drawing

