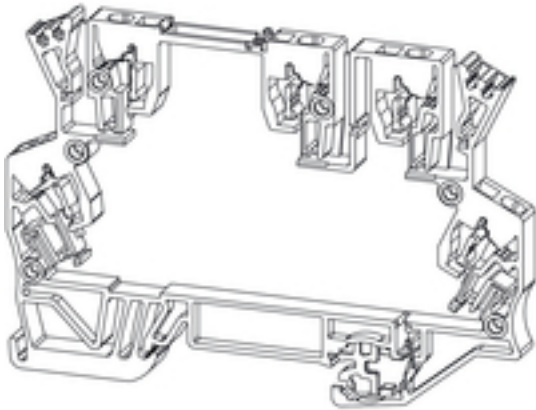


**OMNIMATE Housing - TERMINALBOX  
GH MCZUE1.5/UE BL 1667**

**Weidmüller Interface GmbH & Co. KG**  
Klingenbergstraße 16  
D-32758 Detmold  
Germany  
Fon: +49 5231 14-0  
Fax: +49 5231 14-292083  
www.weidmueller.com



Open miniature housing in modular terminal format with five tension clamp connections. A transparent hinged top plate can be used for labelling and provides access to potentiometer and status displays. Plug-in cross-connectors can be used to interconnect the three top connections. A cover plate for closing off the housing is also available.

**General ordering data**

Type	GH MCZUE1.5/UE BL 1667
Order No.	<a href="#">2463200000</a>
Version	Electronics housings, OMNIMATE Housing - TERMINALBOX blue, only enclosures, without metal accessories, Width: 6 mm
GTIN (EAN)	4050118479522
Qty.	100 pc(s).

**OMNIMATE Housing - TERMINALBOX  
GH MCZUE1.5/UE BL 1667**

**Weidmüller Interface GmbH & Co. KG**  
Klingenbergstraße 16  
D-32758 Detmold  
Germany  
Fon: +49 5231 14-0  
Fax: +49 5231 14-292083  
www.weidmueller.com

**Technical data**
**Dimensions and weights**

Length	91 mm	Length (inches)	3.583 inch
Width	6 mm	Width (inches)	0.236 inch
Height	63 mm	Height (inches)	2.48 inch
Net weight	12.5 g		

**System characteristics**

Version	only enclosures, without metal accessories	Protection degree	IP20
---------	--	-------------------	------

**Material data**

Colour	blue	Colour chart (similar)	RAL 5012
Storage temperature, min.	-25 °C	Storage temperature, max.	55 °C
Max. relative humidity during storage	80 %	Operating temperature, min.	-50 °C
Operating temperature, max.	120 °C	Temperature range, installation, min.	-25 °C
Temperature range, installation, max.	120 °C		

**Classifications**

ETIM 6.0	EC000261	eClass 6.2	27-14-91-07
eClass 9.0	27-18-01-90	eClass 9.1	27-18-92-90

**Notes**

Notes

**Approvals**

ROHS Conform

**Downloads**

Brochure/Catalogue [FL ANALO.SIGN.CONV. EN](#)  
[MB DEVICE MANUF. EN](#)  
[FL MACHINE SAFETY EN](#)  
[FL 72H SAMPLE SER EN](#)  
[PO OMNIMATE EN](#)

**Data sheet**

**OMNIMATE Housing - TERMINALBOX  
GH MCZUE1.5/UE BL 1667**

**Weidmüller Interface GmbH & Co. KG**  
Klingenbergstraße 16  
D-32758 Detmold  
Germany  
Fon: +49 5231 14-0  
Fax: +49 5231 14-292083  
[www.weidmueller.com](http://www.weidmueller.com)

**Drawings**

